



## 63-S01-TE

### 63-S01 BUTTRESS-STYLE CLOSURES

#### CLOSURE SPECIFICATIONS

**Diameter:** 63 mm  
**Thread Profile:** S01  
**Neck Finish:** 63-S01  
**Closure Top:** Stipple  
**Material:** PP

#### PRODUCT BENEFITS

» A proven closure for the Food Oil and Agricultural Chemical markets

#### MARKETS

- » Food
- » Food Oil
- » Household Chemicals
- » Automotive Products
- » Food Service
- » Agricultural Products
- » Industrial Products

#### OPTIONS

» Available in white, several standard colors and custom colors

#### PACKAGING & FREIGHT INFORMATION

PACK TYPE	PCS/CTN	CTNS/PALT	PCS/PALT	CTN WT*	PALT WT*	FRT CLASS
Bulk	475	15	7,125	21.9630 (1)	329.4450 (1)	125.0 (1)
Bulk	475	15	7,125	23.2821 (2)	349.2315 (2)	125.0 (2)

#### CARTON DIMENSIONS

24 x 16 x 15

#### PALLET DIMENSIONS

48 x 40 x 50

(1) Unlined Closures (2) Lined Closures \* Approximate

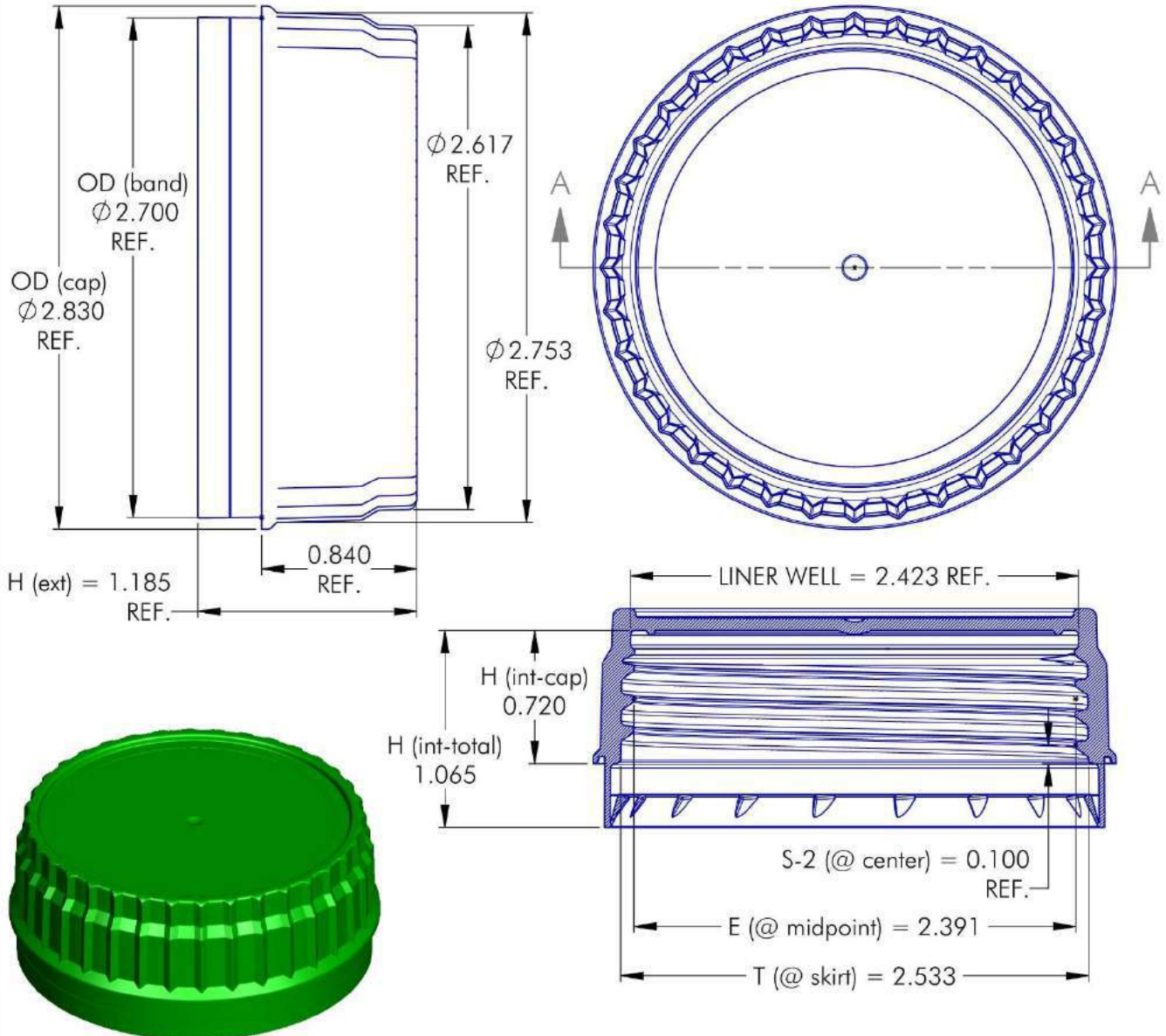
#### LOCATIONS

NAPERVILLE, IL • NEWPORT, TN • DAVENPORT, IA  
 GREENCASTLE, IN • ONTARIO, CA • STAINES, UK



# Phoenix Closures, Inc.

Quality and Innovation Since 1890



**NOTES: (UNLESS OTHERWISE SPECIFIED)**

1. ALL DIMENSIONS ARE IN INCHES.
2. TOLERANCE ON ALL DIMENSIONS IS  $\pm 0.010$ " EXCEPT WHERE NOTED AS "REF.".
3. CONTINUOUS RUN OF THREAD FROM LINER WELL TO 'S-2' DIMENSION SHOWN (~2-1/4 TURNS FULL THREAD).

#	00.00.00	-	--	PITCH (TPI): 6	# OF TURNS: NOTE 3	MATERIAL: POLYPROPYLENE
REV	DATE	DESCRIPTION	BY	DRAWING #: 63 - S01 - TE (U)		SCALE: 1-1/4 : 1
<p style="color: red; font-size: small;">THIS OR FACSIMILE THEREOF IS THE EXCLUSIVE PROPERTY OF PHOENIX CLOSURES, INC. AND MAY NOT BE REPRODUCED WITHOUT THE EXPRESSED WRITTEN CONSENT OF PHOENIX CLOSURES, INC. SOME OR ALL OF THE ITEMS DEPICTED ON THIS DRAWING MAY BE COVERED BY CURRENT PATENTS OR PATENTS APPLIED FOR BY PHOENIX CLOSURES, INC.</p>				DESCRIPTION: 63mm TAMPER-EVIDENT LUG STYLE CLOSURE		
				DRAWN BY: DMN	DATE: 06.08.12	APPROVED BY: LRE