



63-S01-CRC

63-S01 BUTTRESS-STYLE CLOSURES

CLOSURE SPECIFICATIONS

Diameter: 63 mm
Thread Profile: S01
Neck Finish: 63-S01
Closure Top: Stipple
Material: PP

PRODUCT BENEFITS

» A proven closure for the Food Oil and Agricultural Chemical markets

OPTIONS

» Available in white, several standard colors and custom colors

MARKETS

- » Food
- » Food Oil
- » Household Chemicals
- » Automotive Products
- » Food Service
- » Agricultural Products
- » Industrial Products

PACKAGING & FREIGHT INFORMATION

PACK TYPE	PCS/CTN	CTNS/PALT	PCS/PALT	CTN WT*	PALT WT*	FRT CLASS
Bulk	800	15	12,000	27.2028 ⁽¹⁾	408.0420 ⁽¹⁾	100.0 ⁽¹⁾
Bulk	800	15	12,000	29.4235 ⁽²⁾	441.3525 ⁽²⁾	100.0 ⁽²⁾

CARTON DIMENSIONS

24 x 16 x 15

PALLET DIMENSIONS

48 x 40 x 50

(1) Unlined Closures (2) Lined Closures * Approximate

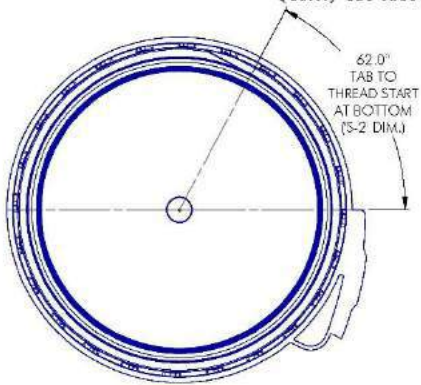
LOCATIONS

NAPERVILLE, IL • NEWPORT, TN • DAVENPORT, IA
 GREENCASTLE, IN • ONTARIO, CA • STAINES, UK

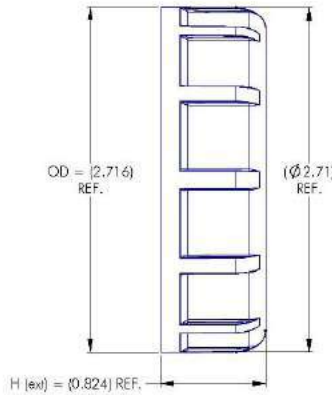


Phoenix Closures, Inc.

Quality and Innovation Since 1890



62.0°
TAB TO
THREAD START
AT BOTTOM
(S-2 DIM.)



OD = (2.716)
REF.

(Ø 2.71)
REF.

H (ext) = (0.824) REF.



A

A



DRAWING NOTES: (UNLESS OTHERWISE SPECIFIED)

1. ALL DIMENSIONS ARE IN INCHES.
2. TOLERANCE ON ALL DIMENSIONS IS ± 0.010 EXCEPT WHERE NOTED AS 'REF.'
3. CONTINUOUS RUN OF THREAD FROM LINER WELL TO 'S-2' DIMENSION SHOWN AT BTM. OF SKIRT. (2 FULL TURNS)

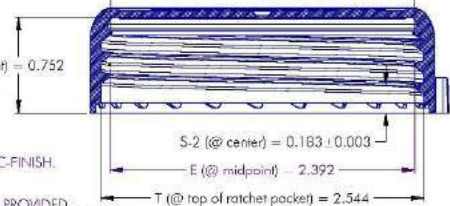
SPECIFICATION NOTES:

1. THIS CLOSURE IS DESIGNED TO FUNCTION SPECIFICALLY WITH PCI FINISH 63-S01-CRC-FINISH.
2. CLOSURE APPLICATION TORQUE SPECIFIED AS 30 IN-LB. OR GREATER.
3. LINER THICKNESS SPECIFIED AS 0.030 MIN. TO 0.035 MAX.
4. LINER MATERIAL MAY BE 'SURESEAL®', 'PULP & FOIL', OR ANY OTHER TYPE OF MATERIAL PROVIDED LINER THICKNESS IS CONSISTENT WITH NOTED SPECIFICATION. OTHER LINER THICKNESSES MAY BE USED AT THE DISCRETION OF THE CUSTOMER BASED ON THE PERFORMANCE OF THEIR SPECIFIC PACKAGING.

USAGE PROTOCOL:

A PACKAGE USING THIS CLOSURE WAS EVALUATED AGAINST THE CONSUMER PRODUCT SAFETY COMMISSION (CPSC) PROTOCOL AND STANDARDS. THE STUDY INDICATED THE TEST PACKAGE FULFILLED THE REQUIREMENTS FOR A POISON PREVENTION PACKAGE AS PER THE CURRENT CODE OF FEDERAL REGULATIONS (C.F.R.) TITLE 16, PART 1700.2. HOWEVER, IT IS THE RESPONSIBILITY OF THE CUSTOMER TO DETERMINE IF THE CLOSURE/LINER/CONTAINER COMBINATION THEY CHOOSE COMPLIES WITH THOSE REQUIREMENTS.

H (int) = 0.752



LINER WELL = (Ø 2.382) REF.

S-2 (@ center) = 0.183 ± 0.003

E (@ midpoint) = 2.392

T (@ top of ratchet pocket) = 2.544

THIS OR ANY PART THEREOF IS THE EXCLUSIVE PROPERTY OF PHOENIX CLOSURES, INC. AND MAY NOT BE REPRODUCED WITHOUT THE EXPRESS WRITTEN CONSENT OF PHOENIX CLOSURES, INC. SOME OR ALL OF THE TRADE PRACTICES THIS DRAWING MAY BE COVERED BY CURRENT PATENTS OR PATENTS APPLIED FOR BY PHOENIX CLOSURES, INC.

REV	DATE	DESCRIPTION
1	00.00.00	

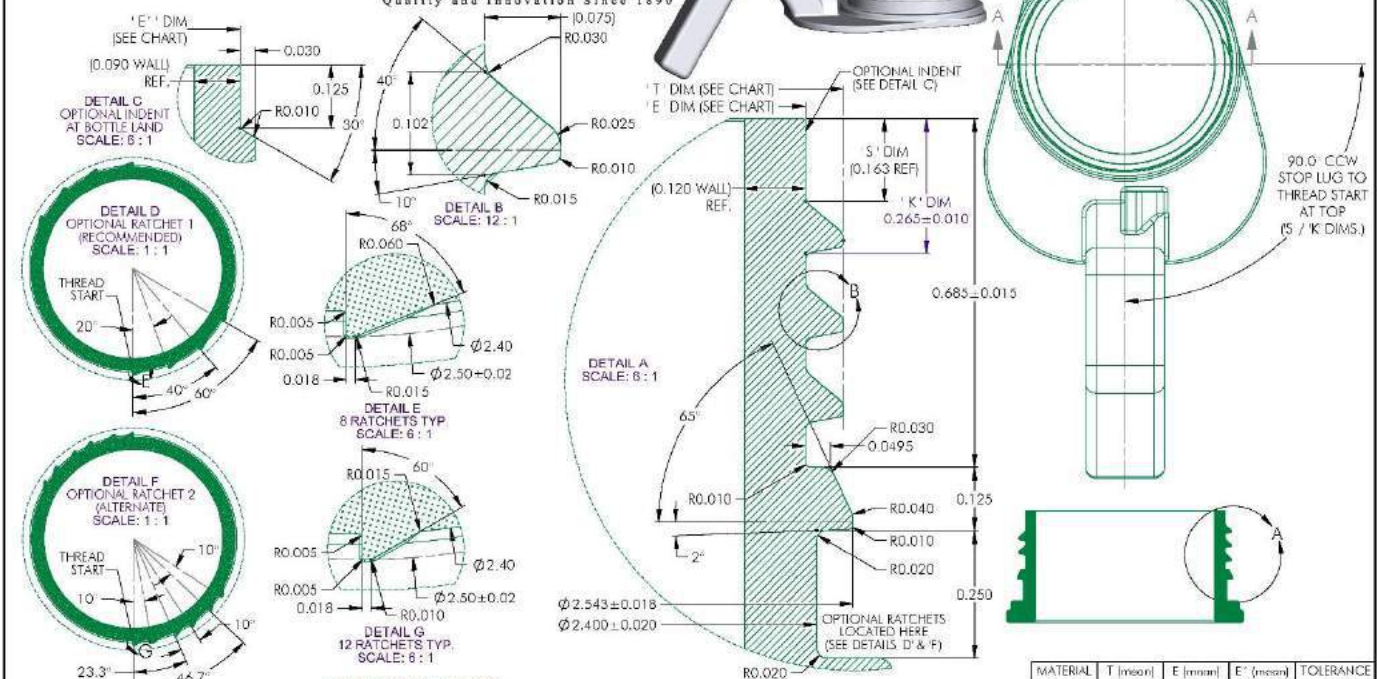
DESCRIPTION

REVISION: 6	FIG. 12 (REV. NOTE 3)	MATERIAL: POLYPROPYLENE
DRAWING NO: 63 - S01 - CRC (U)	SCALE: 1-1/2 : 1	
DESCRIPTION: 63-S01-9102 w/ CHILD-RESISTANT PUSH-TAB		
DRAWN BY: DMN	DATE: 04.05.13	APPROVED BY: LRE REV: 3



Phoenix Closures, Inc.

Quality and Innovation Since 1890



NOTES: UNLESS OTHERWISE SPECIFIED:
 1. ALL DIMENSIONS ARE IN INCHES.
 2. SEE CHART FOR TOLERANCE ON ALL DIMENSIONS.

SPECIFICATION NOTES:
 1. THIS FINISH IS DESIGNED TO FUNCTION SPECIFICALLY WITH PCI CLOSURE 63-S01-CRC.
 2. CLOSURE APPLICATION TORQUE SPECIFIED AS 30 in-lb. OR GREATER.
 3. LINER THICKNESS SPECIFIED AS 0.030" MIN. TO 0.035" MAX.
 4. LINER MATERIAL MAY BE "SURESEAL®", PULP & FOIL OR ANY OTHER TYPE OF MATERIAL PROVIDED LINER THICKNESS IS CONSISTENT WITH NOTED SPECIFICATION. OTHER LINER THICKNESSES MAY BE USED AT THE DISCRETION OF THE CUSTOMER BASED ON THE PERFORMANCE OF THEIR SPECIFIC PACKAGING.

THIS OR PARTS THEREOF IS THE SOLE PROPERTY OF PHOENIX CLOSURES, INC. AND MAY NOT BE REPRODUCED WITHOUT THE EXPRESS WRITTEN CONSENT OF PHOENIX CLOSURES, INC. SOME OR ALL OF THE TRADE PATENTS OR THIS DRAWING MAY BE COVERED BY CURRENT PATENTS OR PATENTS APPLIED FOR BY PHOENIX CLOSURES, INC.

REV	DATE	DESCRIPTION
1	100.00.00	

MATERIAL	T (mm)	E (mm)	E' (mm)	TOLERANCE
PP / PE	2.506	2.356	2.296	± 0.018
PET	2.514	2.364	2.304	± 0.010

DRAWING #	PLATE / REV	NO. PAGES	PER CHART
63 - S01 - CRC FINISH		2	

DESCRIPTION	SCALE
FINISH FOR USE w/ PCI 63-S01-CRC CLOSURE	1 : 1

DRAWN BY	DATE	CHECKED BY	REV.
DMN	04.05.13	LRE	0