



89-400-85S

SMOOTH TOP & SIDES

CLOSURE SPECIFICATIONS

Diameter: 89 mm
Thread Profile: 400
Neck Finish: 89-400
Closure Top: Smooth
Closure Sidewall: Smooth
Material: PP

PRODUCT BENEFITS

- » Smooth top and sides lend a "clean" look to the package
- » Popular for vitamins and nutraceuticals
- » Popular for cosmetics

MARKETS

- » Nutraceuticals
- » Personal Care/Cosmetics
- » Pharmaceuticals

OPTIONS

- » Available in white, several standard colors and custom colors
- » Can be lined with a wide variety of liner systems including SureSeal (foam), pressure sensitive and heat induction (foil) liners
- » Off-set printing is available on this closure in up to three colors
- » Liners can be cut with a pull-tab easy-open feature

PACKAGING & FREIGHT INFORMATION

PACK TYPE	PCS/CTN	CTNS/PALT	PCS/PALT	CTN WT*	PALT WT*	FRT CLASS
Stacked	640	15	9,600	26.3941 (1)	395.9115 (1)	125.0 (1)
Stacked	640	15	9,600	28.4540 (2)	426.8100 (2)	100.0 (2)

CARTON DIMENSIONS

24 x 16 x 15

PALLET DIMENSIONS

48 x 40 x 50

(1) Unlined Closures (2) Lined Closures * Approximate

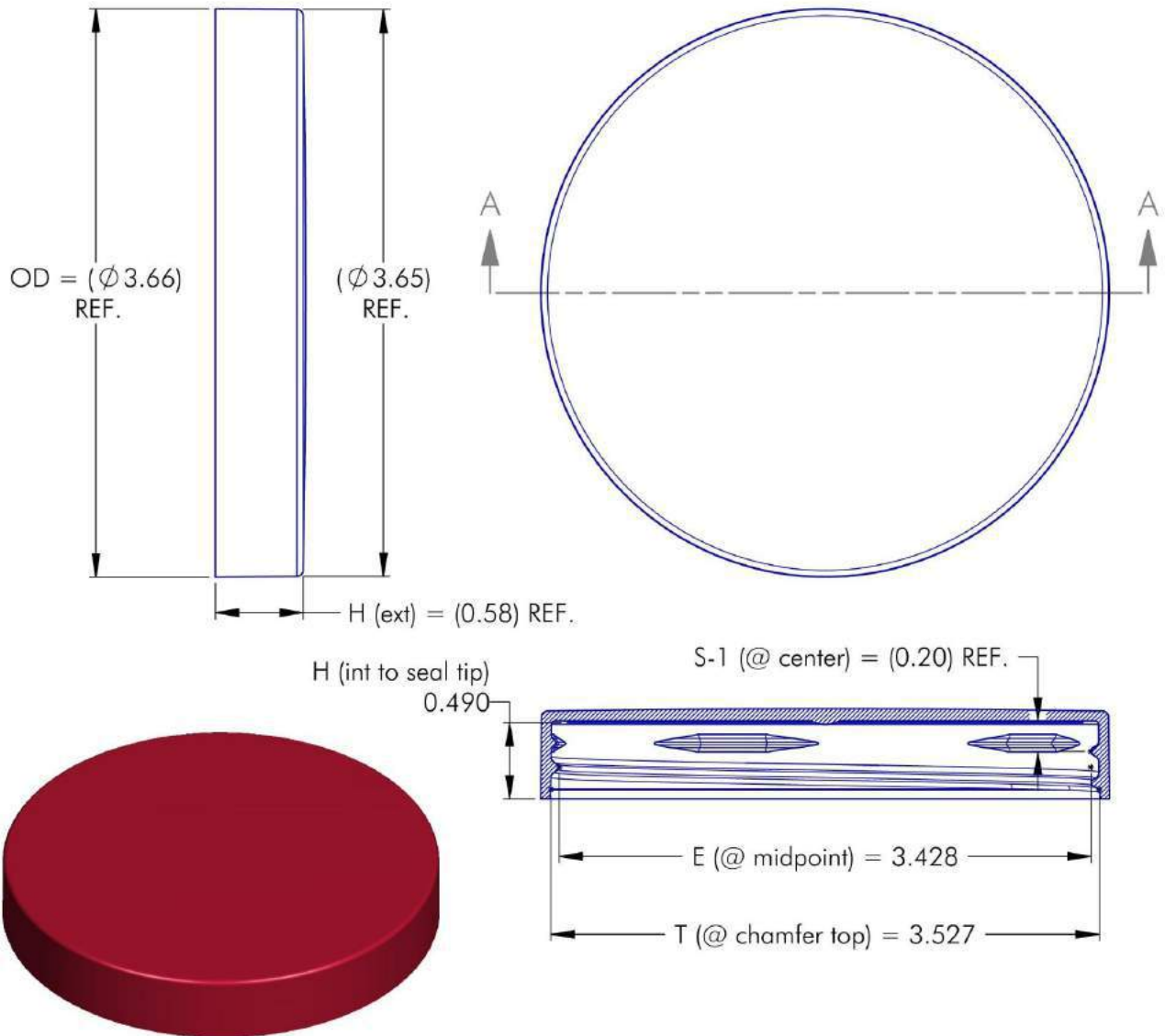
LOCATIONS

NAPERVILLE, IL • NEWPORT, TN • DAVENPORT, IA
 GREENCASTLE, IN • ONTARIO, CA • STAINES, UK



Phoenix Closures, Inc.

Quality and Innovation Since 1890



NOTES: (UNLESS OTHERWISE SPECIFIED)

1. ALL DIMENSIONS ARE IN INCHES.
2. TOLERANCE ON ALL DIMENSIONS IS ± 0.010 " EXCEPT WHERE NOTED AS "REF.".
3. DIMENSIONS REFLECT PARTS FROM HOT-RUNNER MOLD ONLY.

3	06.16.15	RE-DEFINED REFERENCE DIMENSIONS	DN
2	05.11.10	ADDED DOME TO THE CAVITY SIDE	DA
1	10.15.09	ADDED HOT RUNNER FLOW BUTTON	DN
REV	DATE	DESCRIPTION	BY

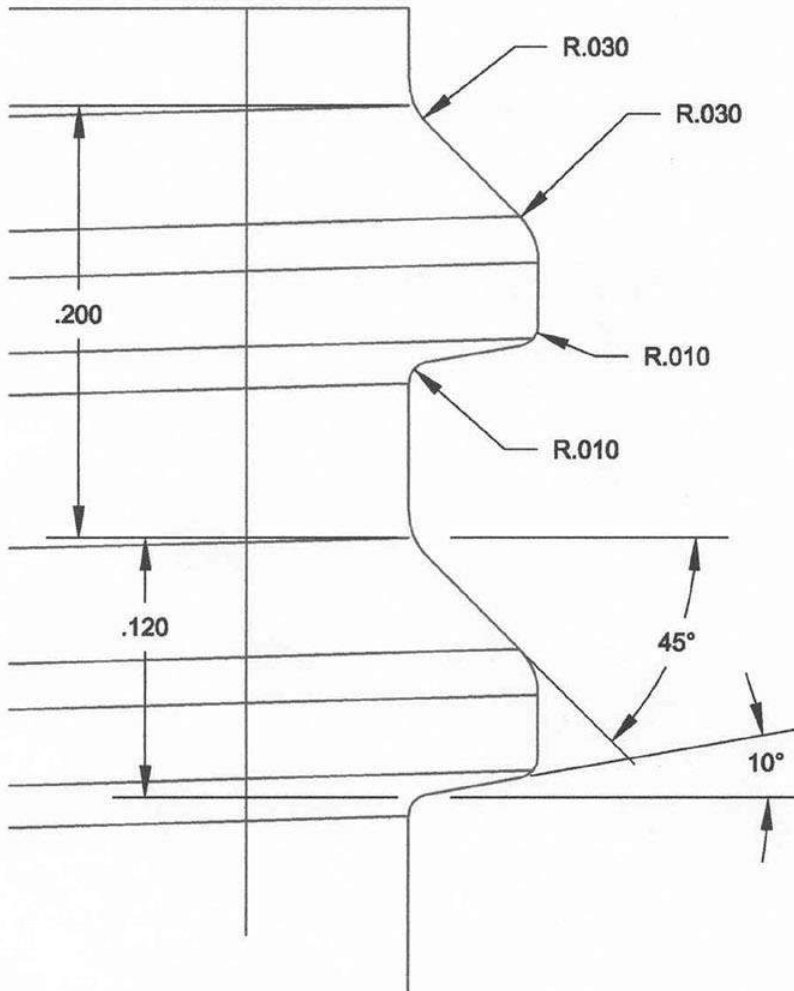
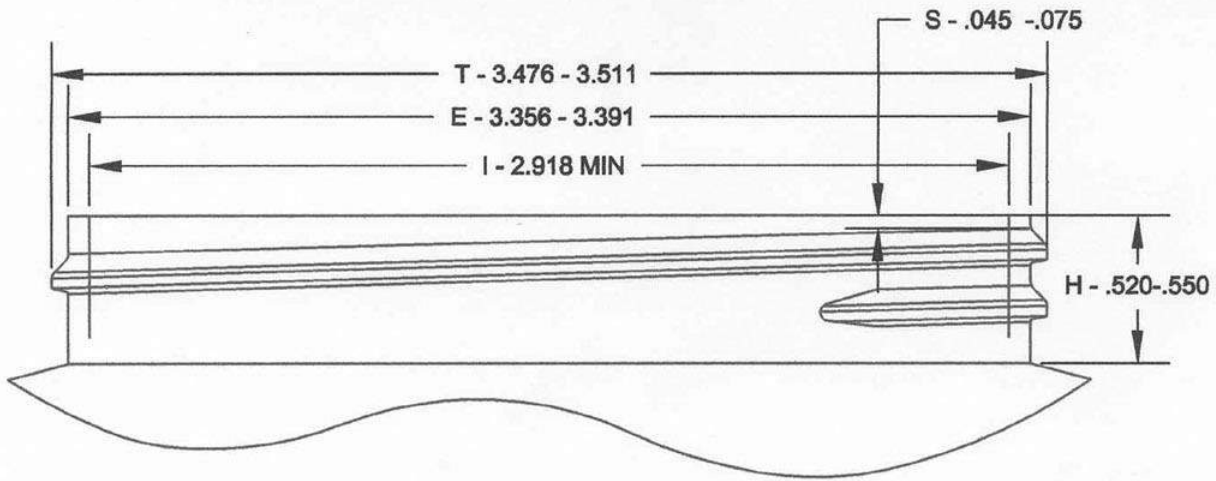
PITCH (TPI): 5 # OF TURNS: 1-1/4 MATERIAL: POLYPROPYLENE

DRAWING #: 89 - 400 - 85 (S) SCALE: 1 : 1

DESCRIPTION: 89-400 CLOSURE w/ SMOOTH TOP & SKIRT

DRAWN BY: BEZ DATE: 09.07.01 APPROVED BY: LRE REV: 3

THIS OR FACSIMILE THEREOF IS THE EXCLUSIVE PROPERTY OF PHOENIX CLOSURES, INC. AND MAY NOT BE REPRODUCED WITHOUT THE EXPRESSED WRITTEN CONSENT OF PHOENIX CLOSURES, INC. SOME OR ALL OF THE ITEMS DEPICTED ON THIS DRAWING MAY BE COVERED BY CURRENT PATENTS OR PATENTS APPLIED FOR BY PHOENIX CLOSURES, INC.



Rev.	Date:	Disc.
PITCH: 5TPI		
TURNS OF THREAD: 1 min.		
		
PHOENIX CLOSURES, INC. 1899 HIGH GROVE LANE NAPERVILLE, IL 60540-3996 (630) 420 4750		
DRAWN BY: B. ZEMLO		
DWG. DATE: 10-22-97		
PRINTED DATE: 5-8-00		
APPROVED BY:		
89-400 CONTAINER FINISH		
DWG PRNT#: 89400-1		

This print or facsimile thereof, is the exclusive property of Phoenix Closures, Inc. and may not be reproduced without the express written consent of Phoenix Closures, Inc.

CAD: 89400FIN.DWG