



96-ACC-84-S

DISPENSING CLOSURES

CLOSURE SPECIFICATIONS

Diameter: 96 mm
Thread Profile: ACC
Neck Finish: 96-ACC
Closure Top: Stipple
Closure Sidewall: Smooth
Material: PP

PRODUCT BENEFITS

- » Accepts full sleeve or roll stock labels
- » All plastic design
- » Built-in measuring cup for dosing and dispensing
- » Easy open and close with multilead closure design
- » For dry products
- » Better line efficiencies (no need to seal a liner)
- » Embossed measuring lines are convenient for dosing
- » Improved pantry shelf-life through negligible MVTR
- » Special design to eliminate the need for a liner
- » Stocked in white (colors available)

MARKETS

- » Beverages
- » Food
- » Food Service
- » Nutraceuticals
- » Pharmaceuticals
- » Powdered drinks
- » Soup base

OPTIONS

- » Available in white, several standard colors and custom colors

PACKAGING & FREIGHT INFORMATION

PACK TYPE	PCS/TOTE	TOTE/PALT	PCS/PALT	TOTE WT*	PALT WT*	FRT CLASS
Tote	2,400	1	2,400	189.7798 (1)	189.7798 (1)	150.0 (1)

TOTE DIMENSIONS

48 x 40 x 39.5

PALLET DIMENSIONS

48 x 40 x 50

(1) Unlined Closures (2) Lined Closures * Approximate

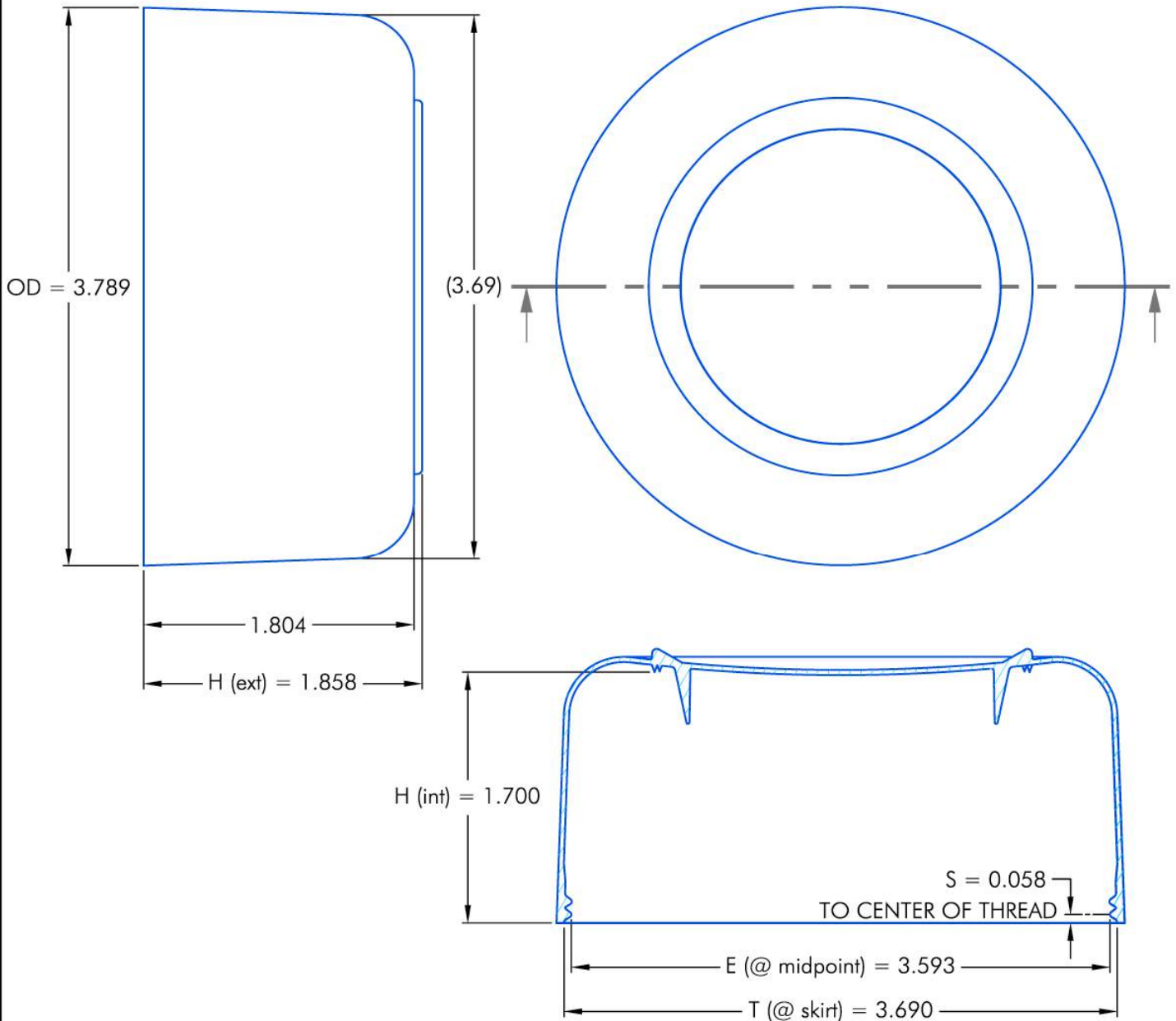
LOCATIONS

NAPERVILLE, IL • NEWPORT, TN • DAVENPORT, IA
 GREENCASTLE, IN • ONTARIO, CA • STAINES, UK



Phoenix Closures, Inc.

Quality and Innovation Since 1890



NOTES: (UNLESS OTHERWISE SPECIFIED)

1. ALL DIMENSIONS ARE IN INCHES.
2. TOLERANCE ON ALL DIMENSIONS IS ± 0.010 INCHES.
3. 3 LEADS OF THREAD, 120° PER LEAD.

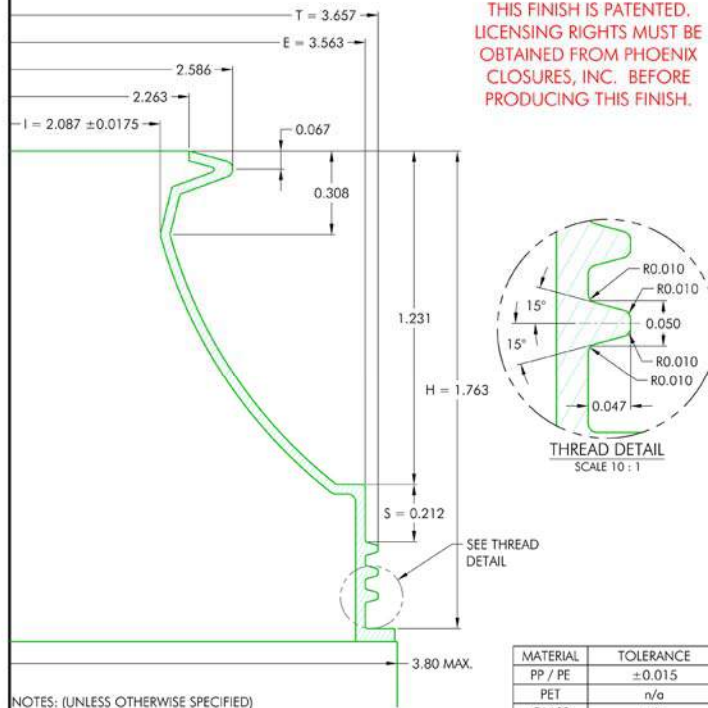
REV	DATE	DESCRIPTION	BY

THIS OR FACSIMILE THEREOF IS THE EXCLUSIVE PROPERTY OF PHOENIX CLOSURES, INC. AND MAY NOT BE REPRODUCED WITHOUT THE EXPRESSED WRITTEN CONSENT OF PHOENIX CLOSURES, INC.

PITCH (TPI): 3	# OF TURNS: NOTE 3	MATERIAL: POLYPROPYLENE
DRAWING #:		96-ACC-84 (S)
DESCRIPTION:		
"DOSING"-TYPE CLOSURE WITH ACCUSEAL®		
FILE:	96-ACC-84.dwg	SCALE: 1 : 1
DRAWN BY: DMN	DATE: 09.23.02	APPRVD BY: LRE
REV: 0	WP	



THIS FINISH IS PATENTED. LICENSING RIGHTS MUST BE OBTAINED FROM PHOENIX CLOSURES, INC. BEFORE PRODUCING THIS FINISH.



- NOTES: (UNLESS OTHERWISE SPECIFIED)
1. ALL DIMENSIONS ARE IN INCHES.
 2. TOLERANCE ON ALL DIMENSIONS GIVEN BY CHART.
 3. 3 LEADS OF THREAD AT 240° PER LEAD.

MATERIAL	TOLERANCE
PP / PE	±0.015
PET	n/a
GLASS	n/a

PITCH (TP): 3		# OF TURNS: NOTE 3		MATERIAL: PER CHART	
DRAWING #: 96-ACC-84 FINISH					
DESCRIPTION: FINISH FOR USE WITH PCI 96-ACC-84 CLOSURE					
FILE: 96-ACC-FINISH-R1.dwg				SCALE: 3 : 1	
DRAWN BY: DMN		DATE: 03.12.04		APPROV BY: LRE	
REV: 1		DATE: 03.12.04		BY: BF	

THIS OR FACSIMILE THEREOF IS THE EXCLUSIVE PROPERTY OF PHOENIX CLOSURES, INC. AND MAY NOT BE REPRODUCED WITHOUT THE EXPRESSED WRITTEN CONSENT OF PHOENIX CLOSURES, INC.