

89-445-49HX

MEDIUM & DEEP SKIRTED CLOSURES

CLOSURE SPECIFICATIONS

Diameter: 89 mm
Thread Profile: 445
Neck Finish: 89-445
Closure Top: Stipple
Closure Sidewall: Broad Ribbed
Material: PP

MARKETS

» Beverages

PRODUCT BENEFITS

- » Broad-ribbed sides are easier to grip
- » Popular for promotions
- » Keyhole straw hole for use on a sports bottle

OPTIONS

- » Available in white, several standard colors and custom colors
- » Offset printing is available on this closure in up to three colors

PACKAGING & FREIGHT INFORMATION

PACK TYPE	PCS/CTN	CTNS/PALT	PCS/PALT	CTN WT*	PALT WT*	FRT CLASS
Bulk	350	15	5,250	19.3951 ⁽¹⁾	290.9265 ⁽¹⁾	125.0 ⁽¹⁾

CARTON DIMENSIONS

24 x 16 x 15

PALLET DIMENSIONS

48 x 40 x 50

(1) Unlined Closures

(2) Lined Closures

* Approximate

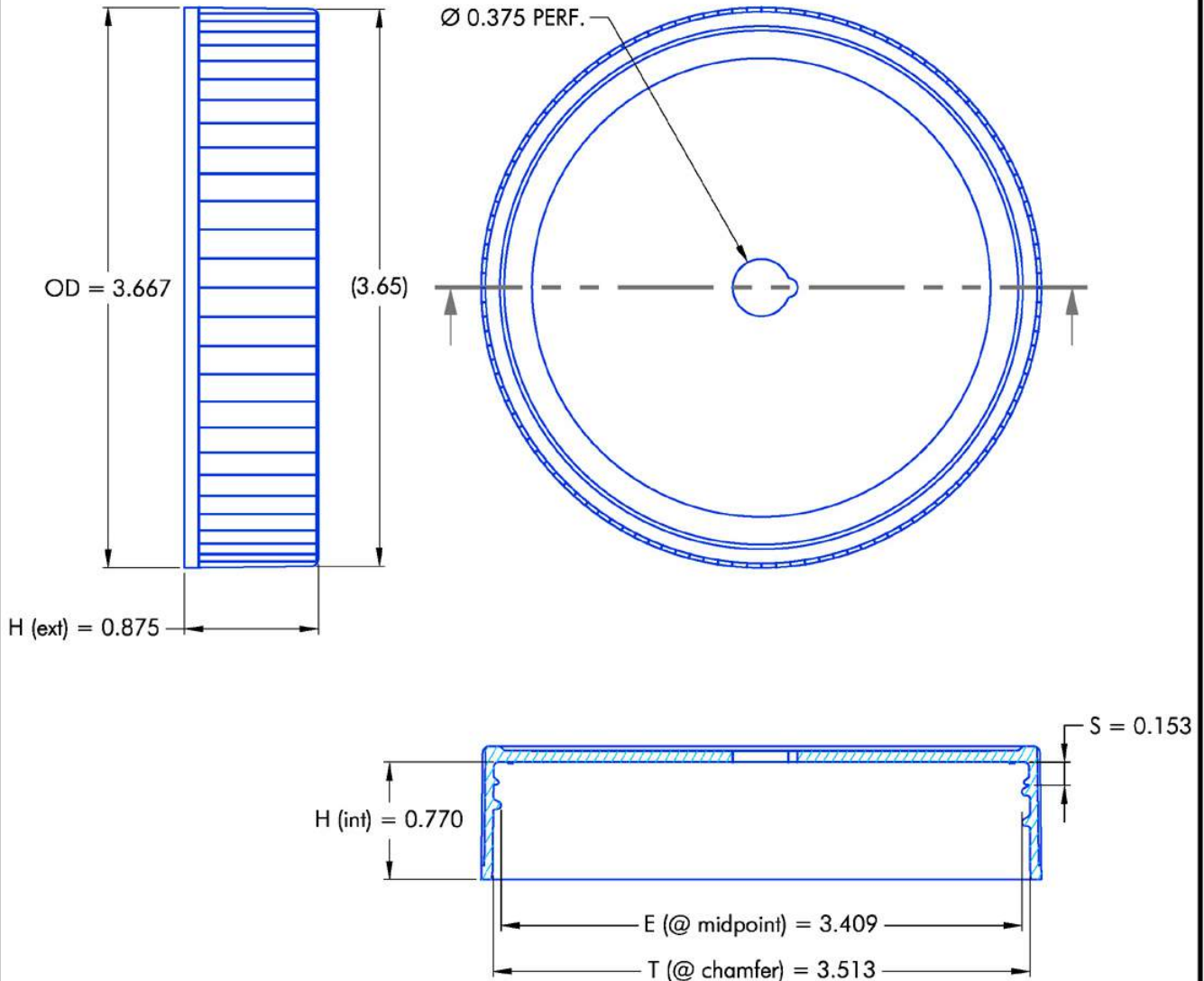
LOCATIONS

NAPERVILLE, IL • NEWPORT, TN • DAVENPORT, IA
 GREENCASTLE, IN • ONTARIO, CA • STAINES, UK



Phoenix Closures, Inc.

Quality and Innovation Since 1890



NOTES: (UNLESS OTHERWISE SPECIFIED)

1. ALL DIMENSIONS ARE IN INCHES.
2. TOLERANCE ON ALL DIMENSIONS IS ± 0.010 INCHES.

REV	DATE	DESCRIPTION	BY

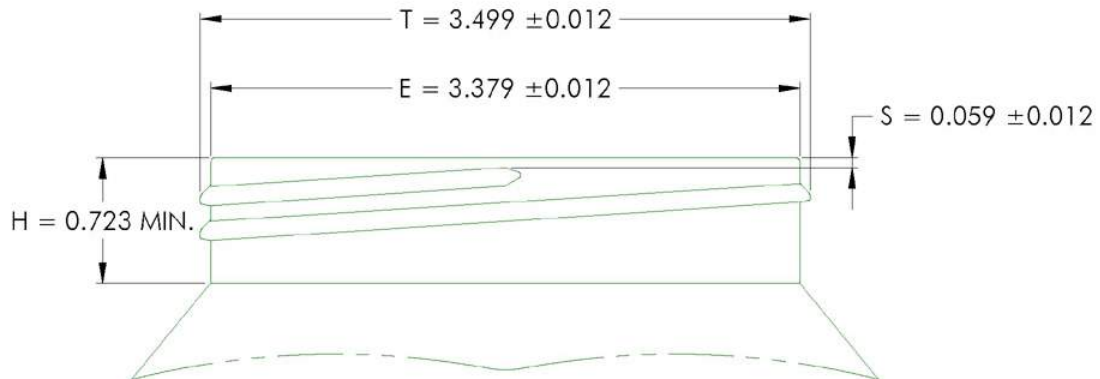
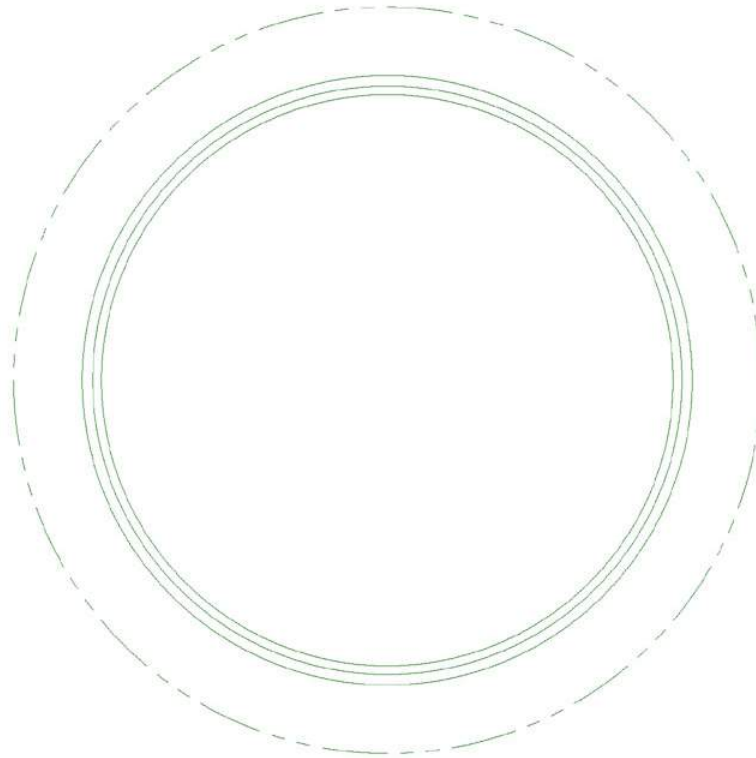
THIS OR FACSIMILE THEREOF IS THE EXCLUSIVE PROPERTY OF PHOENIX CLOSURES, INC. AND MAY NOT BE REPRODUCED WITHOUT THE EXPRESSED WRITTEN CONSENT OF PHOENIX CLOSURES, INC.

PITCH (TPI): 5	# OF TURNS: 1-7/8	MATERIAL: POLYPROPYLENE
DRAWING #:		89-445-49HX (S)
DESCRIPTION:		
BROAD RIB / PERFORATED TOP / SPECIAL HEIGHT		
FILE:	89-445-49HX.dwg	SCALE: 1 : 1
DRAWN BY: BEZ	DATE: 06.24.94	APPRVD BY: LRE
REV: -	WP	



Phoenix Closures, Inc.

Quality and Innovation Since 1890



NOTES: (UNLESS OTHERWISE SPECIFIED)

1. ALL DIMENSIONS ARE IN INCHES.
2. TOLERANCE ON ALL DIMENSIONS IS ± 0.010 ".

REV	DATE	DESCRIPTION	BY
-	-	-	-

THIS OR FACSIMILE THEREOF IS THE EXCLUSIVE PROPERTY OF PHOENIX CLOSURES, INC. AND MAY NOT BE REPRODUCED WITHOUT THE EXPRESSED WRITTEN CONSENT OF PHOENIX CLOSURES, INC.

PITCH (TPI):	5	# OF TURNS:	1-1/2	FILE:	89-445-FINISH.dwg
DRAWING #:	89-445 CONTAINER FINISH				
DESCRIPTION:	FOR USE WITH PCI 89-445 CLOSURES				
DRAWN BY:	DMN	DATE:	10.08.02	SCALE:	1 : 1
APPRVD BY:	LRE	DATE:	-	REV:	0 BF