



89-400-9613S

SHALLOW SKIRTED CLOSURES

CLOSURE SPECIFICATIONS

Diameter: 89 mm
Thread Profile: 400
Neck Finish: 89-400
Closure Top: Stipple
Closure Sidewall: Fine Ribbed
Material: PP

PRODUCT BENEFITS

- » A great general-purpose closure
- » Fine-ribbed sides are easier to grip
- » Our most popular closure style

MARKETS

- » Agricultural Products
- » Automotive Products
- » Dressings & Sauces
- » Food
- » Food Service
- » Industrial Products
- » Medical Products
- » Nutraceuticals
- » Personal Care/Cosmetics
- » Pharmaceuticals
- » Powdered Drinks
- » Soup Base

OPTIONS

- » Available in white, several standard colors and custom colors
- » Offset printing is available on this closure in up to three colors
- » Liners can be cut with a pull-tab or tri-tab easy-open feature

PACKAGING & FREIGHT INFORMATION

PACK TYPE	PCS/CTN	CTNS/PALT	PCS/PALT	CTN WT*	PALT WT*	FRT CLASS
Stack	624	15	9,360	19.76 (1)	296.40 (1)	125 (1)
Stack	624	15	9,360	23.01 (2)	345.15 (2)	125 (2)

CARTON DIMENSIONS

24 x 16 x 15

PALLET DIMENSIONS

48 x 40 x 50

(1) Unlined Closures

(2) Lined Closures

* Approximate

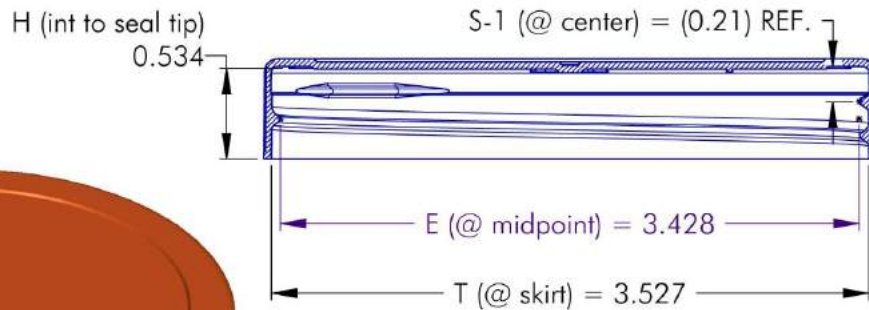
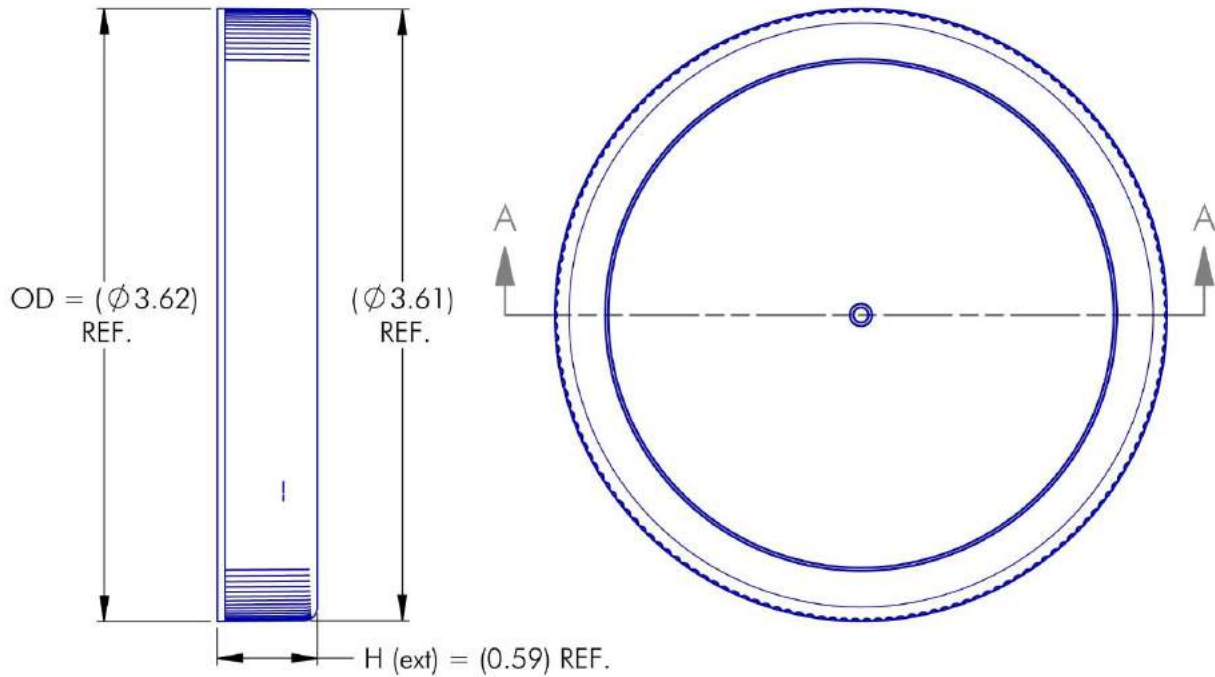
LOCATIONS

NAPERVILLE, IL • NEWPORT, TN • DAVENPORT, IA
 GREENCASTLE, IN • ONTARIO, CA • STAINES, UK



Phoenix Closures, Inc.

Quality and Innovation Since 1890



4	04.08.15	RE-DEFINE REFERENCE DIMENSIONS	DN
3	04.17.13	MODIFY GATE PAD DIAMETER	DN
2	07.27.06	MODIFY SIDE RIB PROFILE AND NUMBER	DN
1	03.05.06	MODIFY SIDE RIB TAPER	BZ
REV	DATE	DESCRIPTION	BY

NOTES: (UNLESS OTHERWISE SPECIFIED)

1. ALL DIMENSIONS ARE IN INCHES.
2. TOLERANCE ON ALL DIMENSIONS IS ± 0.010 " EXCEPT WHERE NOTED AS "REF."

PITCH (TPI): 5 # OF TURNS: 1-3/16 MATERIAL: POLYPROPYLENE

DRAWING #: 89 - 400 - 9613 S SCALE: 1 : 1

DESCRIPTION: MEDIUM RIB / ROUNDED TOP / MATTE FINISH

DRAWN BY: DMN DATE: 07.27.06 APPROVED BY: LRE REV: 4

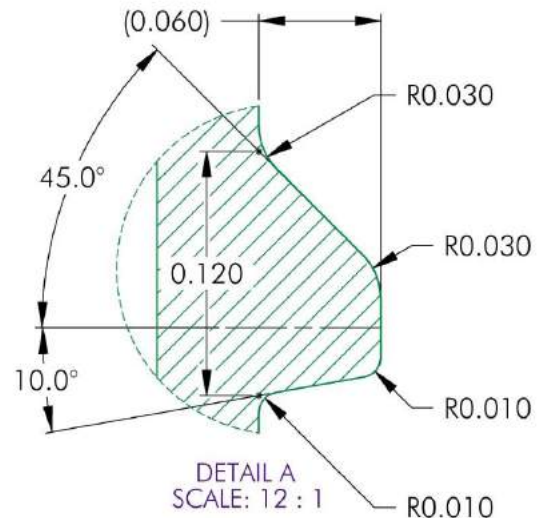
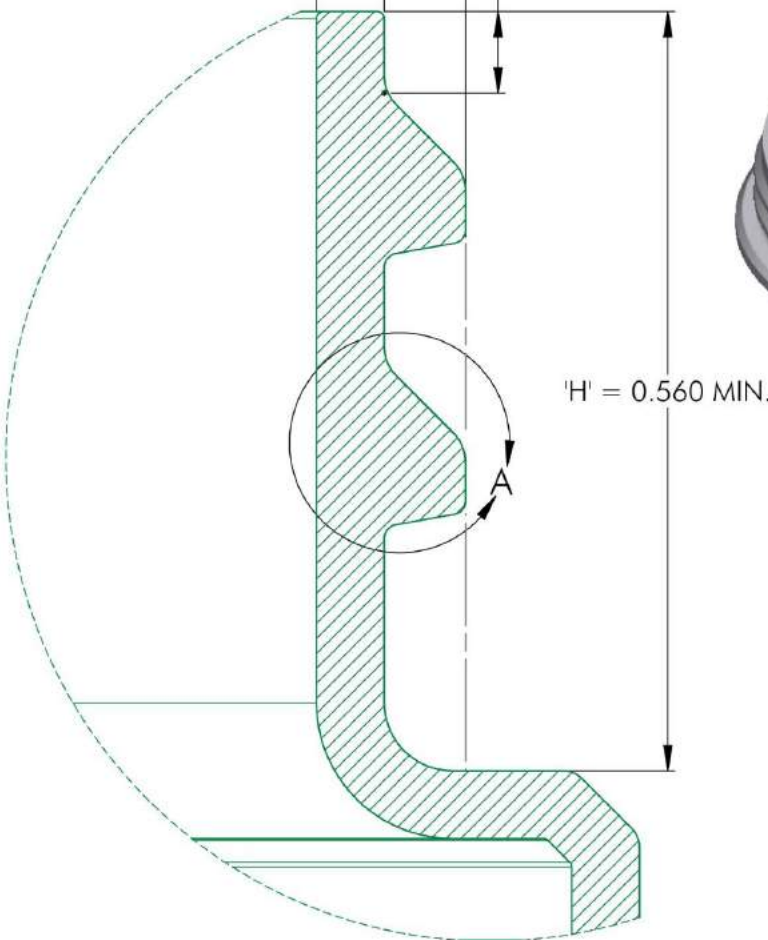
THIS OR FACSIMILE THEREOF IS THE EXCLUSIVE PROPERTY OF PHOENIX CLOSURES, INC. AND MAY NOT BE REPRODUCED WITHOUT THE EXPRESSED WRITTEN CONSENT OF PHOENIX CLOSURES, INC. SOME OR ALL OF THE ITEMS DEPICTED ON THIS DRAWING MAY BE COVERED BY CURRENT PATENTS OR PATENTS APPLIED FOR BY PHOENIX CLOSURES, INC.



Phoenix Closures, Inc.

Quality and Innovation Since 1890

'T' DIM. (SEE CHART) →
 'E' DIM. (SEE CHART) →
 ('I' = 2.918 MIN.) →
 0.060 MIN. LAND FOR INDUC./CONDUCT. SEALING APPLICATIONS
 0.050 MIN. LAND FOR NON-INDUC./CONDUCT. SEALING APPLICATIONS
 'S' = 0.060 ± 0.015



NOTES: (UNLESS OTHERWISE SPECIFIED)
 1. ALL DIMENSIONS ARE IN INCHES.
 2. SEE CHART FOR TOLERANCE ON ALL DIMENSIONS.

MATERIAL	T (mean)	E (mean)	TOLERANCE
PP / PE	3.4935	3.3735	± 0.0175
PET	3.499	3.379	± 0.012

REV	DATE	DESCRIPTION	BY	PITCH (TPI): 5	# OF TURNS: 1-1/2	MATERIAL: SEE CHART
-	00.00.00	-	-	DRAWING #: 89 - 400 - FINISH		SCALE: 8 : 1
<p>THIS OR FACSIMILE THEREOF IS THE EXCLUSIVE PROPERTY OF PHOENIX CLOSURES, INC. AND MAY NOT BE REPRODUCED WITHOUT THE EXPRESSED WRITTEN CONSENT OF PHOENIX CLOSURES, INC. SOME OR ALL OF THE ITEMS DEPICTED ON THIS DRAWING MAY BE COVERED BY CURRENT PATENTS OR PATENTS APPLIED FOR BY PHOENIX CLOSURES, INC.</p>				DESCRIPTION: FINISH FOR USE WITH PCI 89-400 CLOSURES		
				DRAWN BY: DMN	DATE: 10.22.07	APPROVED BY: LRE