



70-470-9620S

MEDIUM & DEEP SKIRTED CLOSURES

CLOSURE SPECIFICATIONS

Diameter: 70 mm
Thread Profile: 470
Neck Finish: 70-470
Closure Top: Stipple
Closure Sidewall: Broad Ribbed
Material: PP

MARKETS

- » Dressings & Sauces
- » Food
- » Food Service
- » Peanut Butter & Nuts
- » Powdered Drinks

PRODUCT BENEFITS

- » Broad-ribbed sides are easier to grip
- » Popular for mayonnaise products and dressings
- » Popular for peanut butter and nuts

OPTIONS

- » Available in white, several standard colors and custom colors
- » Can be lined with a wide variety of liner systems including SureSeal (foam), pressure sensitive and heat induction (foil) liners
- » Liners can be cut with a pull-tab easy-open feature
- » This closure can be embossed/debossed with your custom message
- » Offset printing is available on this closure in up to three colors

PACKAGING & FREIGHT INFORMATION

PACK TYPE	PCS/CTN	CTNS/PALT	PCS/PALT	CTN WT*	PALT WT*	FRT CLASS
Bulk	900	15	13,500	20.8656 (1)	312.9840 (1)	125.0 (1)
Bulk	900	15	13,500	22.5772 (2)	338.6580 (2)	125.0 (2)

CARTON DIMENSIONS

24 x 16 x 15

PALLET DIMENSIONS

48 x 40 x 50

(1) Unlined Closures (2) Lined Closures * Approximate

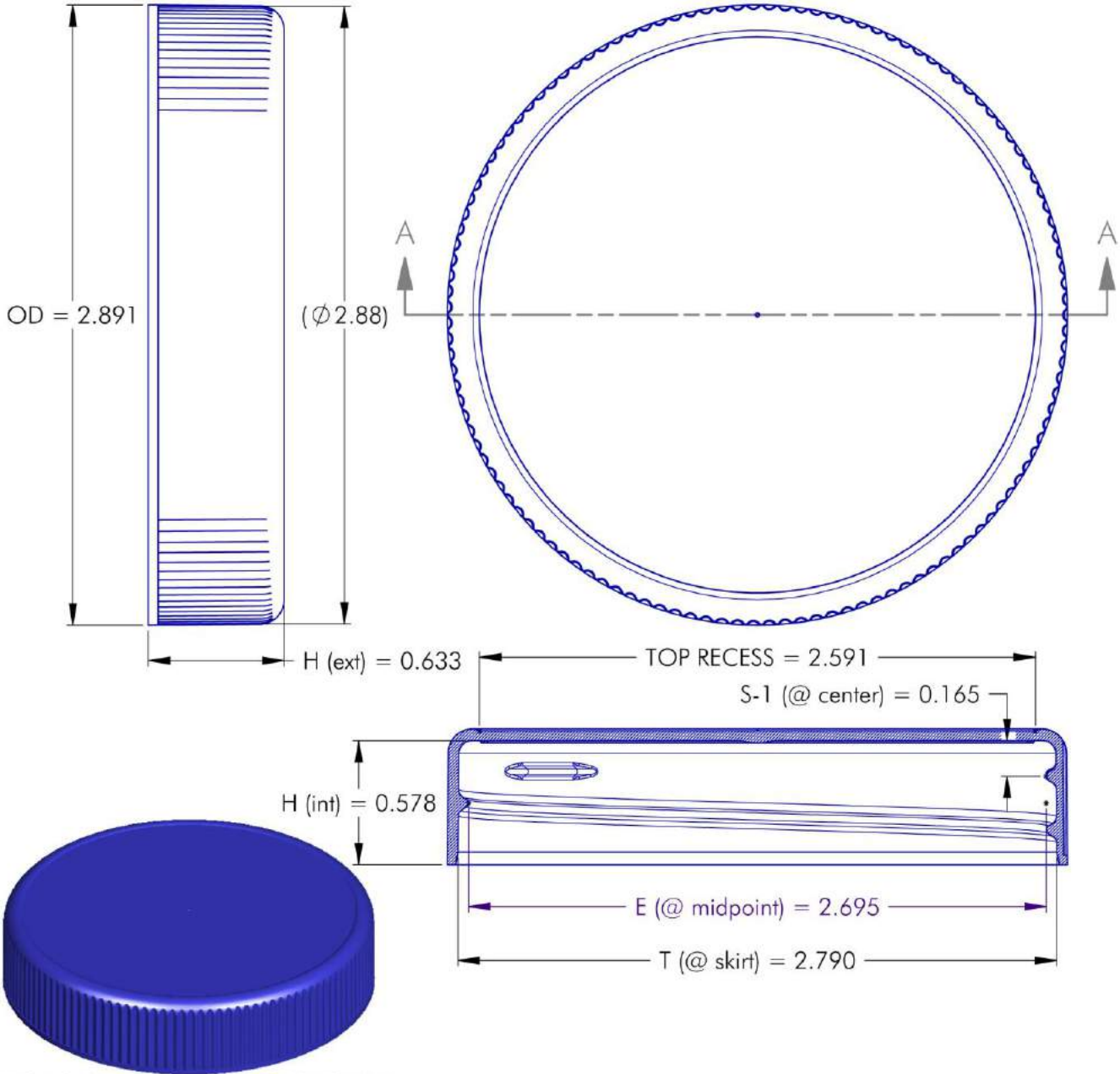
LOCATIONS

NAPERVILLE, IL • NEWPORT, TN • DAVENPORT, IA
 GREENCASTLE, IN • ONTARIO, CA • STAINES, UK



Phoenix Closures, Inc.

Quality and Innovation Since 1890



NOTES: (UNLESS OTHERWISE SPECIFIED)
 1. ALL DIMENSIONS ARE IN INCHES.
 2. TOLERANCE ON ALL DIMENSIONS IS ± 0.010 ".

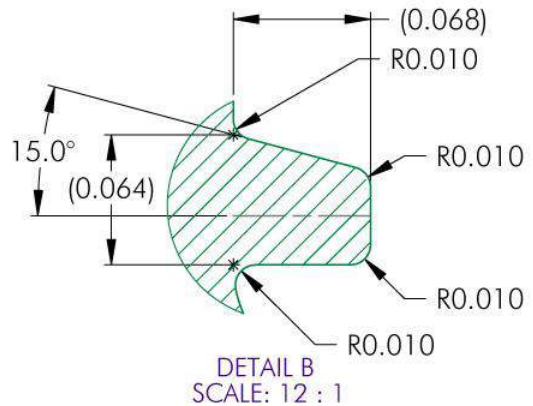
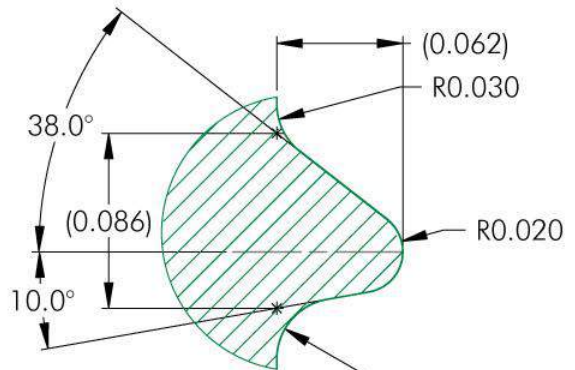
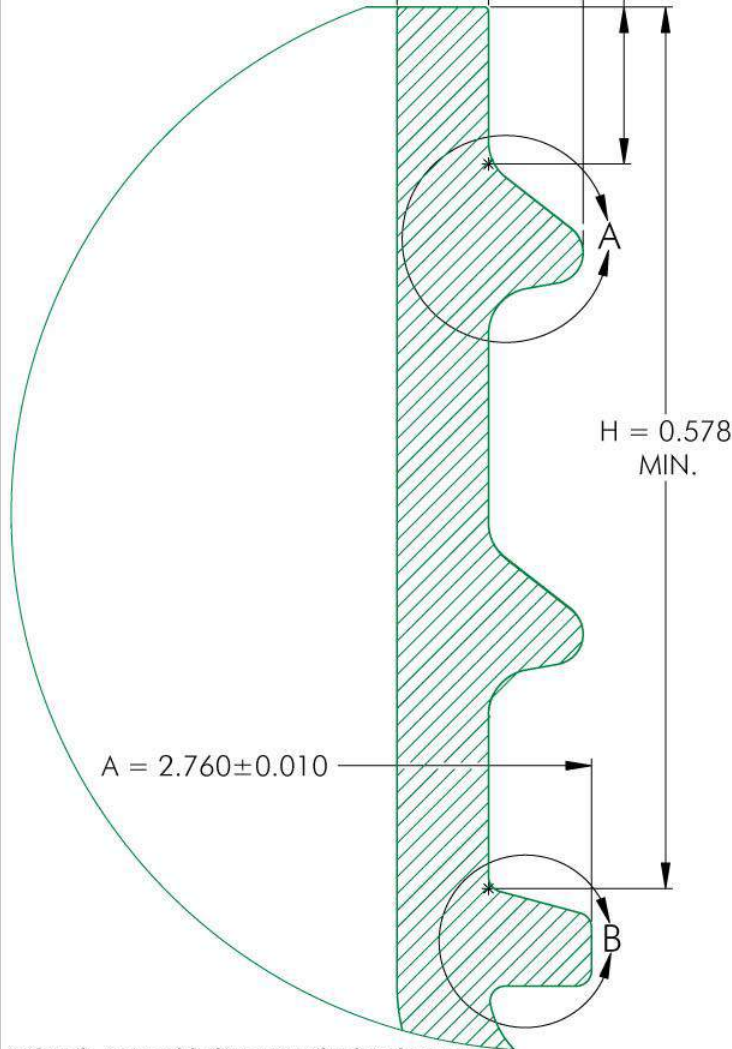
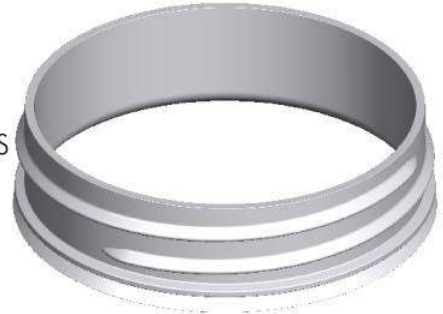
#	00.00.00	-	--	PITCH (TPI): 4	# OF TURNS: 1-3/16	MATERIAL: POLYPROPYLENE
REV	DATE	DESCRIPTION	BY	DRAWING #: 70 - 470 - 9620 (S)		SCALE: 1-1/2 : 1
THIS OR FACSIMILE THEREOF IS THE EXCLUSIVE PROPERTY OF PHOENIX CLOSURES, INC. AND MAY NOT BE REPRODUCED WITHOUT THE EXPRESSED WRITTEN CONSENT OF PHOENIX CLOSURES, INC. SOME OR ALL OF THE ITEMS DEPICTED ON THIS DRAWING MAY BE COVERED BY CURRENT PATENTS OR PATENTS APPLIED FOR BY PHOENIX CLOSURES, INC.				DESCRIPTION: MEDIUM RIB / MATTE FINISH / '470-TYPE'		
				DRAWN BY: DMN	DATE: 11.04.08	APPROVED BY: LRE



Phoenix Closures, Inc.

Quality and Innovation Since 1890

"T" DIM. (SEE CHART)
 "E" DIM. (SEE CHART)
 0.050 MIN. LAND FOR
 NON-INDUC./CONDUCT.
 SEALING APPLICATIONS
 0.060 MIN. LAND FOR
 INDUC./CONDUCT.
 SEALING APPLICATIONS
 $S = 0.103 \pm 0.010$



NOTES: (UNLESS OTHERWISE SPECIFIED)
 1. ALL DIMENSIONS ARE IN INCHES.
 2. SEE CHART FOR TOLERANCE ON ALL DIMENSIONS.

MATERIAL	T (mean)	E (mean)	TOLERANCE
PP / PE	2.750	2.625	± 0.020
PET / PVC	2.760	2.635	± 0.010
GLASS	2.750	2.625	± 0.020

REV	DATE	DESCRIPTION	BY
2	01.17.07	ADDED 'PVC' TO MATERIAL CHART	DN
1	10.22.01	THREAD PROFILE CHANGE	BZ

PITCH (TPI): 4	# OF TURNS: 1-1/4	MATERIAL: SEE CHART
DRAWING #: 70 - 470 - FINISH		SCALE: 9 : 1

THIS OR FACSIMILE THEREOF IS THE EXCLUSIVE PROPERTY OF PHOENIX CLOSURES, INC. AND MAY NOT BE REPRODUCED WITHOUT THE EXPRESSED WRITTEN CONSENT OF PHOENIX CLOSURES, INC. SOME OR ALL OF THE ITEMS DEPICTED ON THIS DRAWING MAY BE COVERED BY CURRENT PATENTS OR PATENTS APPLIED FOR BY PHOENIX CLOSURES, INC.

DESCRIPTION:
FINISH FOR USE WITH PCI 70-470 CLOSURES

DRAWN BY: BEZ	DATE: 10.09.02	APPROVED BY: LRE	REV: 2
---------------	----------------	------------------	--------