



## 70-450-4901S

### MEDIUM & DEEP SKIRTED CLOSURES

#### CLOSURE SPECIFICATIONS

**Diameter:** 70 mm  
**Thread Profile:** 450  
**Neck Finish:** 70-450  
**Closure Top:** Stipple  
**Closure Sidewall:** Broad Ribbed  
**Material:** PP

#### PRODUCT BENEFITS

- » Broad-ribbed sides are easier to grip
- » Popular for mayonnaise products and dressings
- » Popular for peanut butter and nuts

#### OPTIONS

- » Available in white, several standard colors and custom colors
- » Can be lined with a wide variety of liner systems including SureSeal (foam), pressure sensitive and heat induction (foil) liners
- » This closure can be embossed/debossed with your custom message
- » Offset printing is available on this closure in up to three colors

#### MARKETS

- » Dressings & Sauces
- » Food
- » Food Service
- » Agricultural Products
- » Pharmaceuticals
- » Peanut Butter & Nuts
- » Powdered Drinks
- » Automotive Products
- » Personal Care
- » Cosmetics

#### PACKAGING & FREIGHT INFORMATION

PACK TYPE	PCS/CTN	CTNS/PALT	PCS/PALT	CTN WT*	PALT WT*	FRT CLASS
Bulk	700	15	10,500	20.9952 (1)	314.9280 (1)	125.0 (1)
Bulk	700	15	10,500	22.8651 (2)	342.9765 (2)	125.0 (2)

#### CARTON DIMENSIONS

24 x 16 x 15

#### PALLET DIMENSIONS

48 x 40 x 50

(1) Unlined Closures (2) Lined Closures \* Approximate

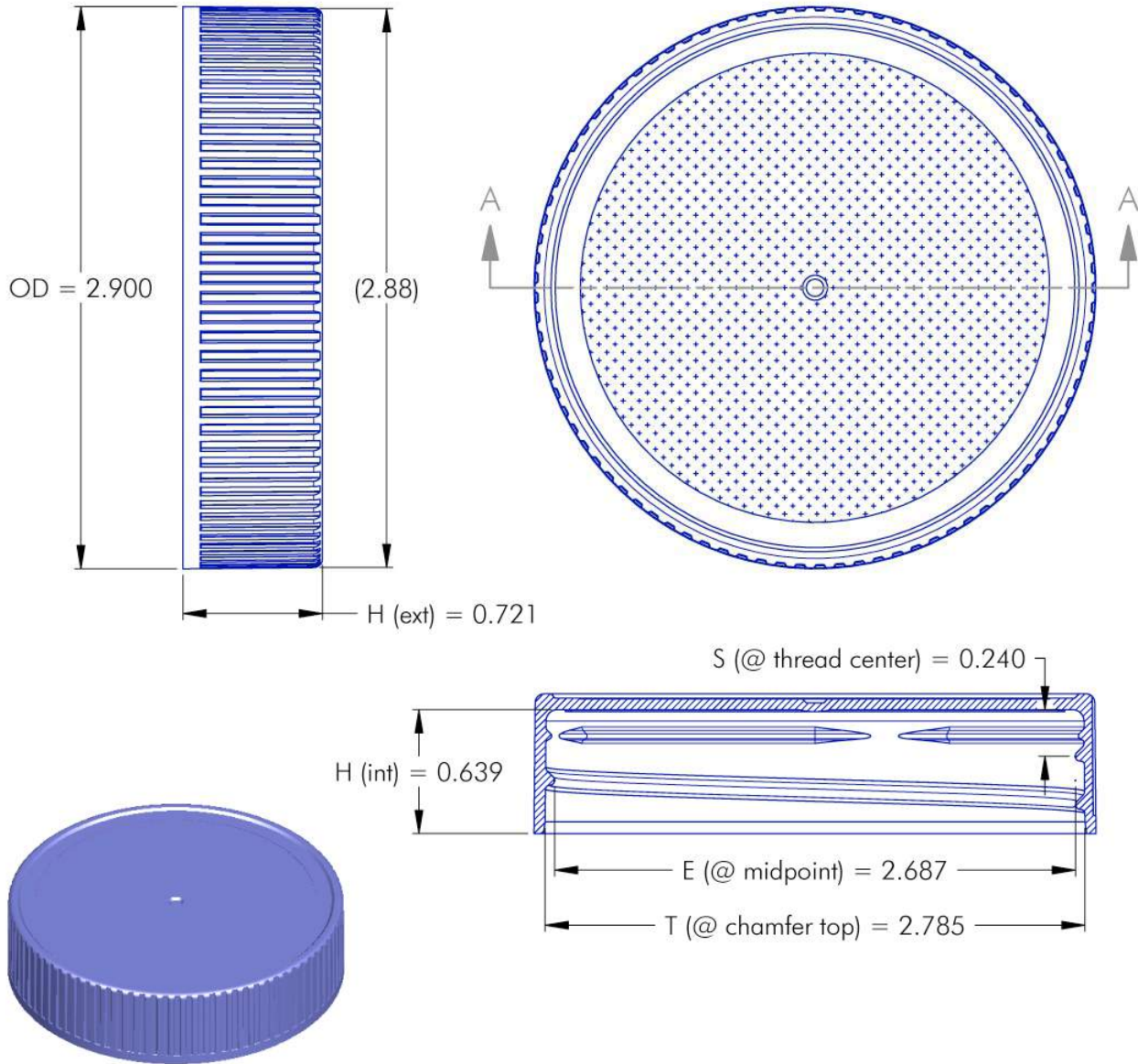
#### LOCATIONS

NAPERVILLE, IL • NEWPORT, TN • DAVENPORT, IA  
 GREENCASTLE, IN • ONTARIO, CA • STAINES, UK



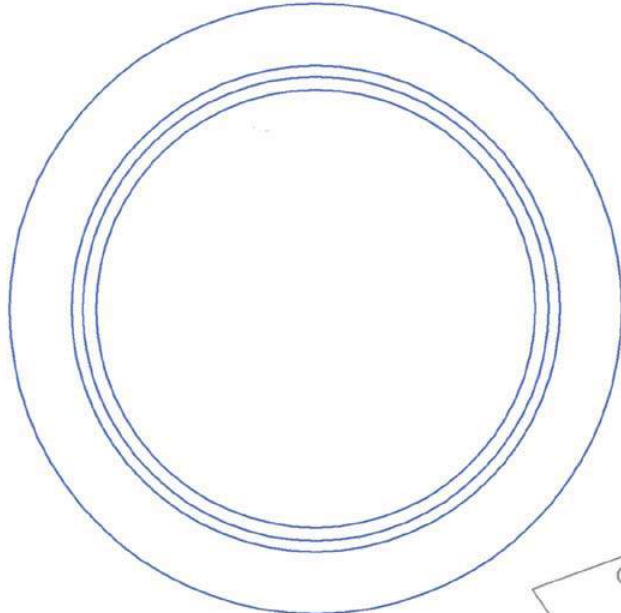
# Phoenix Closures, Inc.

Quality and Innovation Since 1890

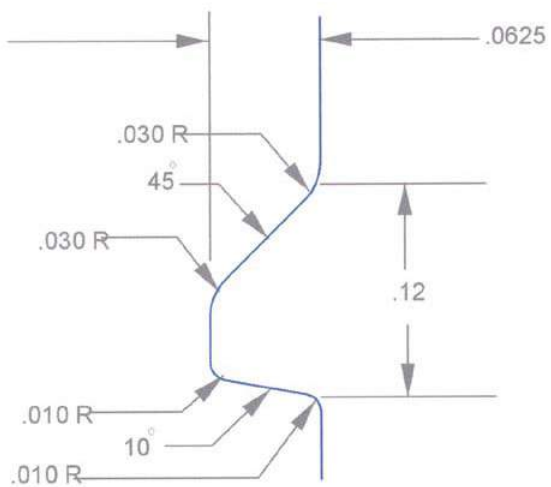
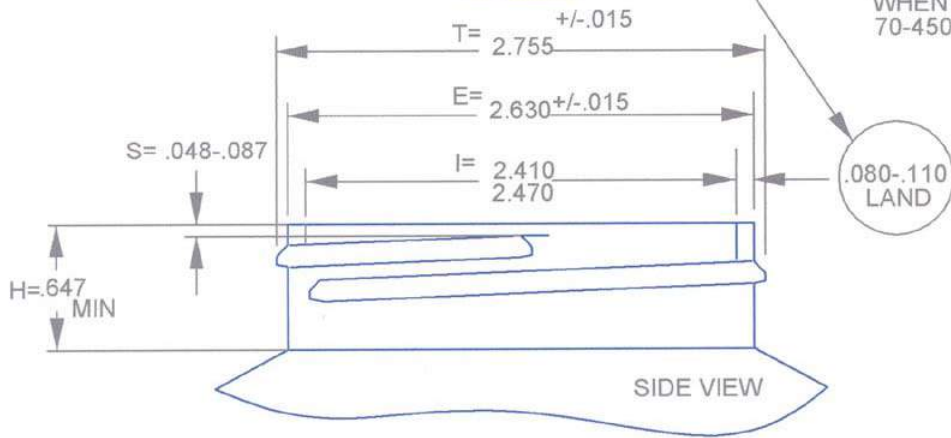


- NOTES: (UNLESS OTHERWISE SPECIFIED)  
 1. ALL DIMENSIONS ARE IN INCHES.  
 2. TOLERANCE ON ALL DIMENSIONS IS  $\pm 0.010$ ".

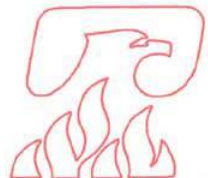
#	00.00.00	-	--	PITCH (TPI): 4	# OF TURNS: 1-1/8	MATERIAL: POLYPROPYLENE
REV	DATE	DESCRIPTION	BY	DRAWING #: 70 - 450 - 4901S		SCALE: 1-1/4 : 1
<p style="color: red; font-size: small;">THIS OR FACSIMILE THEREOF IS THE EXCLUSIVE PROPERTY OF PHOENIX CLOSURES, INC. AND MAY NOT BE REPRODUCED WITHOUT THE EXPRESSED WRITTEN CONSENT OF PHOENIX CLOSURES, INC. SOME OR ALL OF THE ITEMS DEPICTED ON THIS DRAWING MAY BE COVERED BY CURRENT PATENTS OR PATENTS APPLIED FOR BY PHOENIX CLOSURES, INC.</p>				DESCRIPTION: BROAD RIB / DEEP SKIRT / MATTE FINISH TOP		
				DRAWN BY: BEZ	DATE: 10.10.05	APPROVED BY: LRE



NOTE:  
 FLAT LAND SURFACE AND  
 CONSISTENT LAND WIDTH IS CRITICAL  
 TO SEALING FUNCTIONALITY  
 WHEN USED WITH 70-450-4701  
 70-450-7101 or 70-450-7801



PITCH: .250 (4 TPI)  
 TURNS/THRD: 1 1/4



**PHOENIX CLOSURES, INC.**  
 1899 HIGH GROVE LANE  
 NAPERVILLE, IL 60540-3996  
 (630) 420-4750

DESIGNED FOR:  
 70-450-49 SERIES  
 70-450-47 SERIES  
 70-450-7101, 70-450-7801

DATE: 11-22-94  
 DRAWN BY: B. ZEMLO  
 PRINT DATE: 7-10-02

**70-450**  
 CONTAINER FINISH

THIS PRINT OR FACSIMILE THEREOF IS THE EXCLUSIVE PROPERTY OF PHOENIX CLOSURES, INC.  
 AND MAY NOT BE REPRODUCED WITHOUT THE EXPRESS WRITTEN CONSENT OF  
 PHOENIX CLOSURES, INC.