



63-S01-9312

**63-S01 BUTTRESS-
STYLE CLOSURES**

CLOSURE SPECIFICATIONS

Diameter: 63 mm
Thread Profile: S01
Neck Finish: 63-S01
Closure Top: Smooth
Material: PP

PRODUCT BENEFITS

» A proven closure for the Food Oil and Agricultural Chemical markets

MARKETS

- » Food
- » Food Oil
- » Household Chemicals
- » Automotive Products
- » Food Service
- » Agricultural Products
- » Industrial Products

OPTIONS

- » Available in white, several standard colors and custom colors
- » Can be lined with a wide variety of liner systems including SureSeal (foam), pressure sensitive and heat induction (foil) liners
- » Offset printing is available on this closure in up to three colors

PACKAGING & FREIGHT INFORMATION

PACK TYPE	PCS/CTN	CTNS/PALT	PCS/PALT	CTN WT*	PALT WT*	FRT CLASS
Bulk	950	15	14,250	21.5626 (1)	323.4390 (1)	125.0 (1)
Bulk	950	15	14,250	23.3123 (2)	349.6845 (2)	125.0 (2)

CARTON DIMENSIONS

24 x 16 x 15

PALLET DIMENSIONS

48 x 40 x 50

(1) Unlined Closures (2) Lined Closures * Approximate

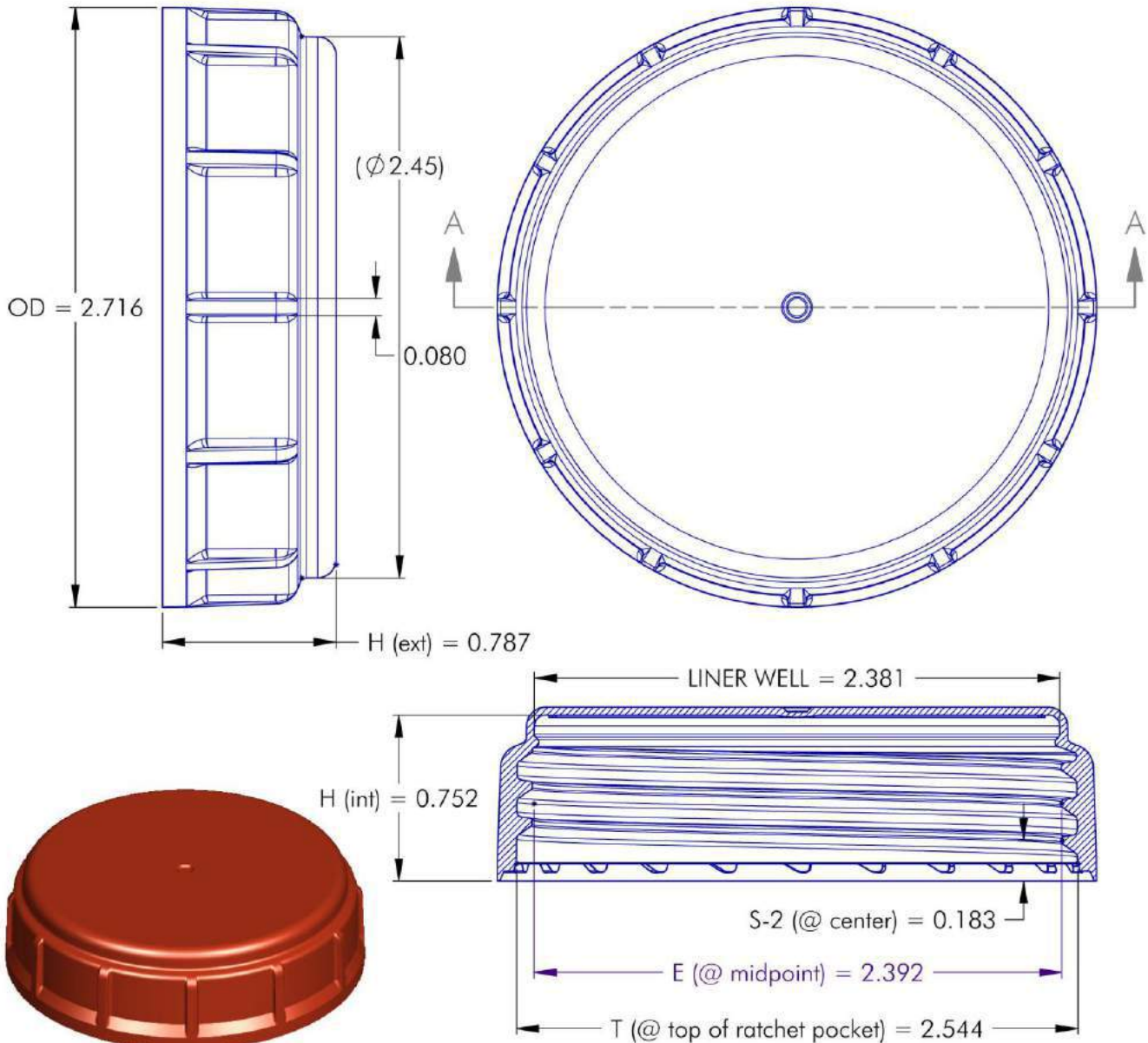
LOCATIONS

NAPERVILLE, IL • NEWPORT, TN • DAVENPORT, IA
 GREENCASTLE, IN • ONTARIO, CA • STAINES, UK



Phoenix Closures, Inc.

Quality and Innovation Since 1890



NOTES: (UNLESS OTHERWISE SPECIFIED)

1. ALL DIMENSIONS ARE IN INCHES.
2. TOLERANCE ON ALL DIMENSIONS IS $\pm 0.010"$.
3. CONTINUOUS RUN OF THREAD FROM LINER-WELL TO 'S-2' DIMENSION SHOWN AT BOTTOM OF SKIRT. (2 FULL TURNS)

REV	DATE	DESCRIPTION	BY	PITCH (TPI): 6	# OF TURNS: NOTE 3	MATERIAL: POLYPROPYLENE
<p style="color: red; font-size: small;">THIS OR FACSIMILE THEREOF IS THE EXCLUSIVE PROPERTY OF PHOENIX CLOSURES, INC. AND MAY NOT BE REPRODUCED WITHOUT THE EXPRESSED WRITTEN CONSENT OF PHOENIX CLOSURES, INC. SOME OR ALL OF THE ITEMS DEPICTED ON THIS DRAWING MAY BE COVERED BY CURRENT PATENTS OR PATENTS APPLIED FOR BY PHOENIX CLOSURES, INC.</p>				DRAWING #: 63 - S01 - 9312 (U)		SCALE: 1-1/2 : 1
				DESCRIPTION: BUTTRESS-STYLE CLOSURE / SMOOTH TOP		
				DRAWN BY: DMN	DATE: 08.13.08	APPROVED BY: LRE REV: 2



Phoenix Closures, Inc.

Quality and Innovation Since 1890

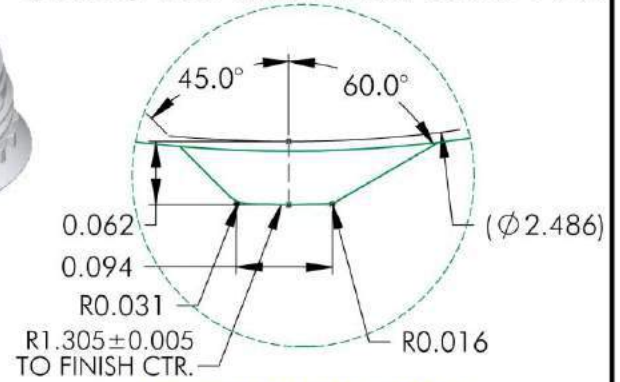
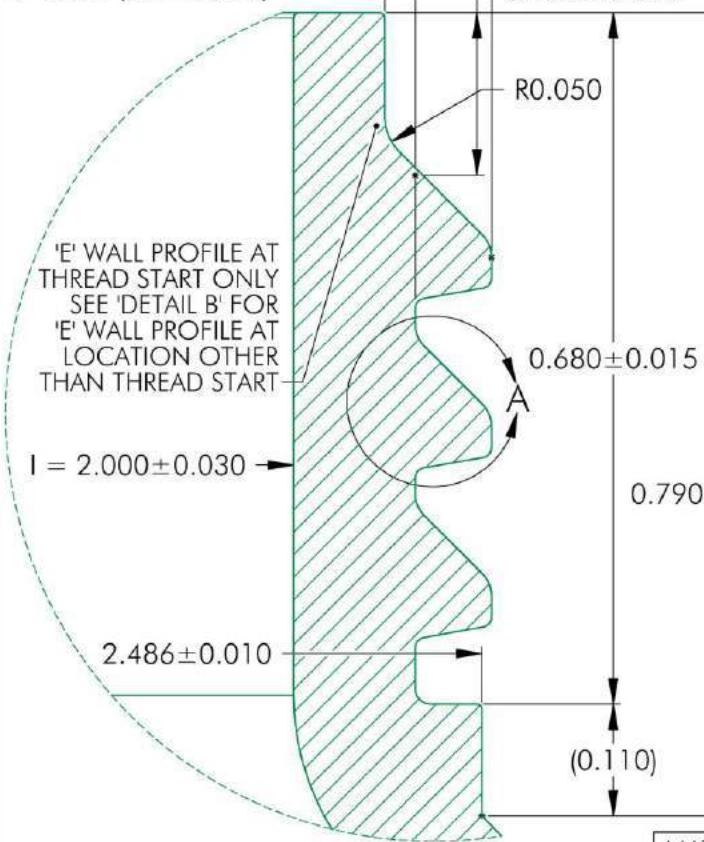
STANDARD FINISH



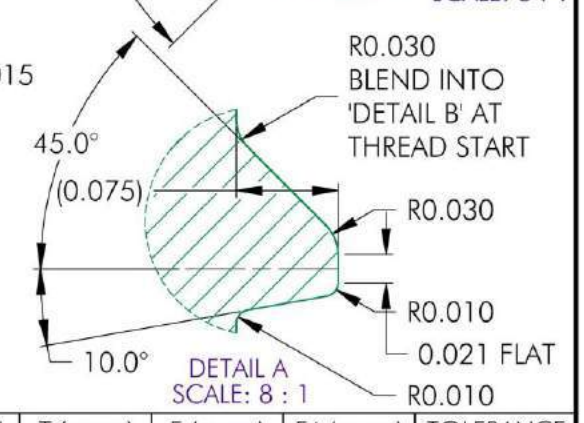
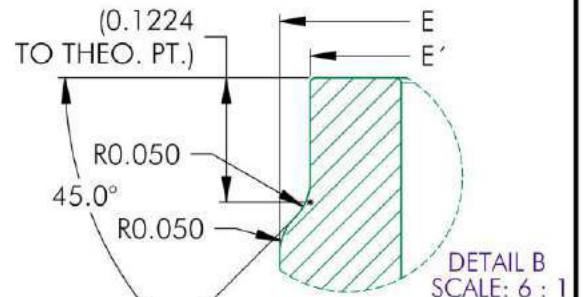
ANTI-BACKOFF FINISH



'T' DIM. (SEE CHART)
'E' DIM. (SEE CHART)
'E'' DIM. (SEE CHART)



RATCHET DETAIL (SEE NOTE 4)
GROUPS OF 5 RATCHETS, 15° BETWEEN RATCHETS
SCALE: 6 : 1



NOTES: (UNLESS OTHERWISE SPECIFIED)

1. ALL DIMENSIONS ARE IN INCHES.
2. SEE CHART FOR TOLERANCE ON ALL DIMENSIONS.
3. THIS FINISH IS DESIGNED FOR USE WITH ALL PHOENIX 63-S01-XXXX CLOSURES EXCEPT FOR 63-S01-2002.
4. RATCHETS USED w/ ANTI-BACKOFF STYLE ONLY. THIS FEATURE NOT INCLUDED w/ STD FINISH. MAY ALTER GROUP POSITION FOR EASE OF MOLDING BUT RATCHETS MUST REMAIN IN GROUPS OF 5 AS DEPICTED ON PRINT.

MATERIAL	T (mean)	E (mean)	E' (mean)	TOLERANCE
PP / PE	2.505	2.355	2.295	+0.017/-0.018
PET	2.505	2.355	2.295	± 0.010

1	06.05.08	SMOOTHED SHARP FLAT STEP IN 'E' WALL	DN	PITCH (TPI): 6	# OF TURNS: 2	MATERIAL: PER CHART
REV	DATE	DESCRIPTION	BY	DRAWING #: 63 - S01 - FINISH		SCALE: 6 : 1
THIS OR FACSIMILE THEREOF IS THE EXCLUSIVE PROPERTY OF PHOENIX CLOSURES, INC. AND MAY NOT BE REPRODUCED WITHOUT THE EXPRESSED WRITTEN CONSENT OF PHOENIX CLOSURES, INC. SOME OR ALL OF THE ITEMS DEPICTED ON THIS DRAWING MAY BE COVERED BY CURRENT PATENTS OR PATENTS APPLIED FOR BY PHOENIX CLOSURES, INC.				DESCRIPTION: FOR USE w/ PCI 63-S01 CLOSURES (NOTE 3)		
				DRAWN BY: DMN	DATE: 02.05.03	APPROVED BY: LRE