



63-485-60-S

SPICE CAPS & FITMENTS

CLOSURE SPECIFICATIONS

Diameter: 63 mm
Thread Profile: 485
Neck Finish: 63-485
Closure Top: Stipple
Closure Sidewall: Smooth
Material: PP

PRODUCT BENEFITS

- » Outside stacking ring
- » Deep skirted with smooth top & sides

MARKETS

- » Food
- » Food Service

OPTIONS

- » Available in white, several standard colors and custom colors

PACKAGING & FREIGHT INFORMATION

| PACK TYPE | PCS/CTN | CTNS/PALT | PCS/PALT | CTN WT* | PALT WT* | FRT CLASS |
|-----------|---------|-----------|----------|-------------|--------------|-----------|
| Bulk | 925 | 15 | 13,875 | 22.5607 (1) | 338.4105 (1) | 125.0 (1) |
| Bulk | 925 | 15 | 13,875 | 25.7620 (2) | 386.4300 (2) | 125.0 (2) |

CARTON DIMENSIONS

24 x 16 x 15

PALLET DIMENSIONS

48 x 40 x 50

(1) Unlined Closures (2) Lined Closures * Approximate

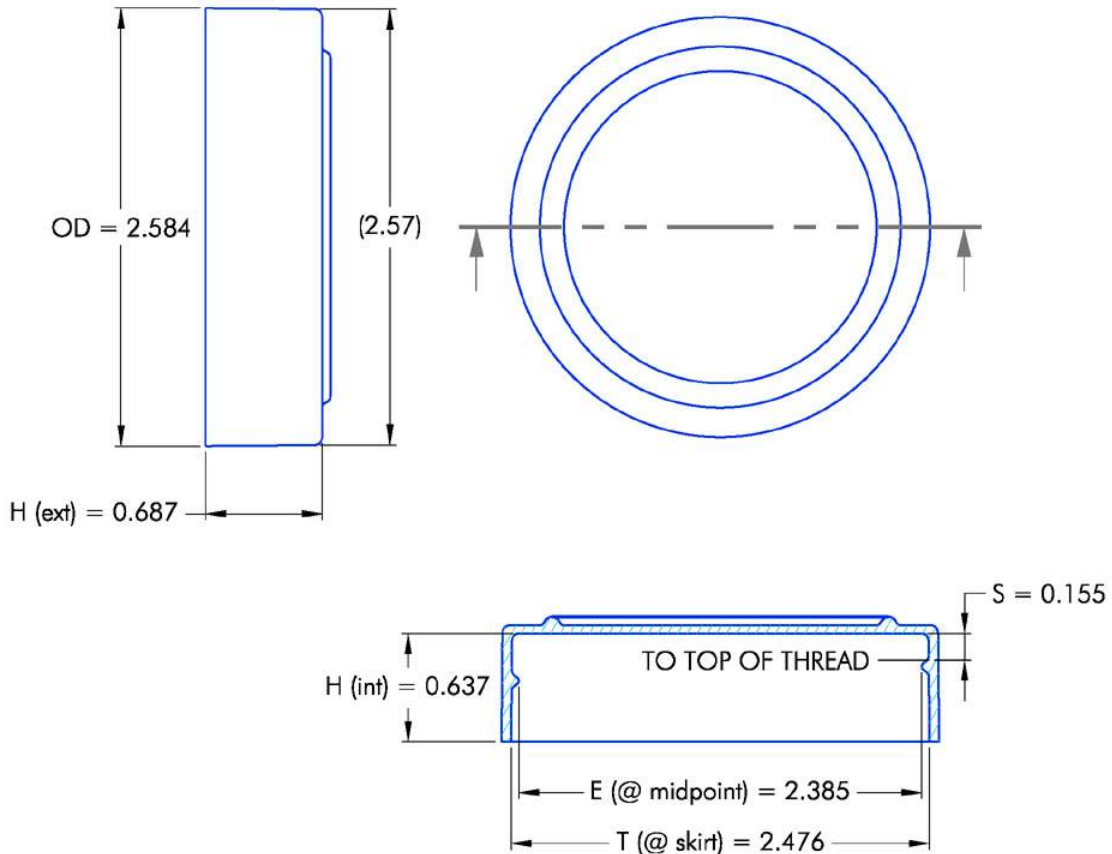
LOCATIONS

NAPERVILLE, IL • NEWPORT, TN • DAVENPORT, IA
 GREENCASTLE, IN • ONTARIO, CA • STAINES, UK



Phoenix Closures, Inc.

Quality and Innovation Since 1890



NOTES: (UNLESS OTHERWISE SPECIFIED)

1. ALL DIMENSIONS ARE IN INCHES.
2. TOLERANCE ON ALL DIMENSIONS IS ± 0.010 INCHES.

| REV | DATE | DESCRIPTION | BY |
|-----|------|-------------|----|
| | | | |

THIS OR FACSIMILE THEREOF IS THE EXCLUSIVE PROPERTY OF PHOENIX CLOSURES, INC. AND MAY NOT BE REPRODUCED WITHOUT THE EXPRESSED WRITTEN CONSENT OF PHOENIX CLOSURES, INC.

| | | | | | |
|--------------|--|-------------|----------|------------|---------------|
| PITCH (TPI): | 6 | # OF TURNS: | 1-3/16 | MATERIAL: | POLYPROPYLENE |
| DRAWING #: | 63-485-60 (S) | | | | |
| DESCRIPTION: | SMOOTH TOP & SIDES / STACK-RING / MED. SKIRT | | | | |
| FILE: | 63-485-60.dwg | SCALE: | 1 : 1 | | |
| DRAWN BY: | BEZ | DATE: | 05.08.00 | APPRVD BY: | LRE |
| REV: | - | WP | | | |