



## 63-400-6213S

### SHALLOW SKIRTED CLOSURES

#### CLOSURE SPECIFICATIONS

**Diameter:** 63 mm  
**Thread Profile:** 400  
**Neck Finish:** 63-400  
**Closure Top:** Stipple  
**Closure Sidewall:** Fine Ribbed  
**Material:** PP

#### PRODUCT BENEFITS

- » A great general-purpose closure
- » Fine-ribbed sides are easier to grip
- » Our most popular closure style

#### MARKETS

- » Agricultural Products
- » Automotive Products
- » Dressings & Sauces
- » Food
- » Food Service
- » Industrial Products
- » Medical Products
- » Non-Dairy Creamer
- » Nutraceuticals
- » Personal Care/Cosmetics
- » Pharmaceuticals
- » Soup Base

#### OPTIONS

- » Available in white, several standard colors and custom colors
- » Liners can be cut with a pull-tab easy-open feature
- » This closure can be embossed/debossed with your custom message
- » Offset printing is available on this closure in up to three colors

#### PACKAGING & FREIGHT INFORMATION

PACK TYPE	PCS/CTN	CTNS/PALT	PCS/PALT	CTN WT*	PALT WT*	FRT CLASS
Bulk	1,500	15	22,500	26.4345 <sup>(1)</sup> 29.6737 <sup>(2)</sup>	396.5175 <sup>(1)</sup> 445.1055 <sup>(2)</sup>	100.0 <sup>(1)</sup> 100.0 <sup>(2)</sup>

#### CARTON DIMENSIONS

24 x 16 x 15

#### PALLET DIMENSIONS

48 x 40 x 50

(1) Unlined Closures (2) Lined Closures \* Approximate

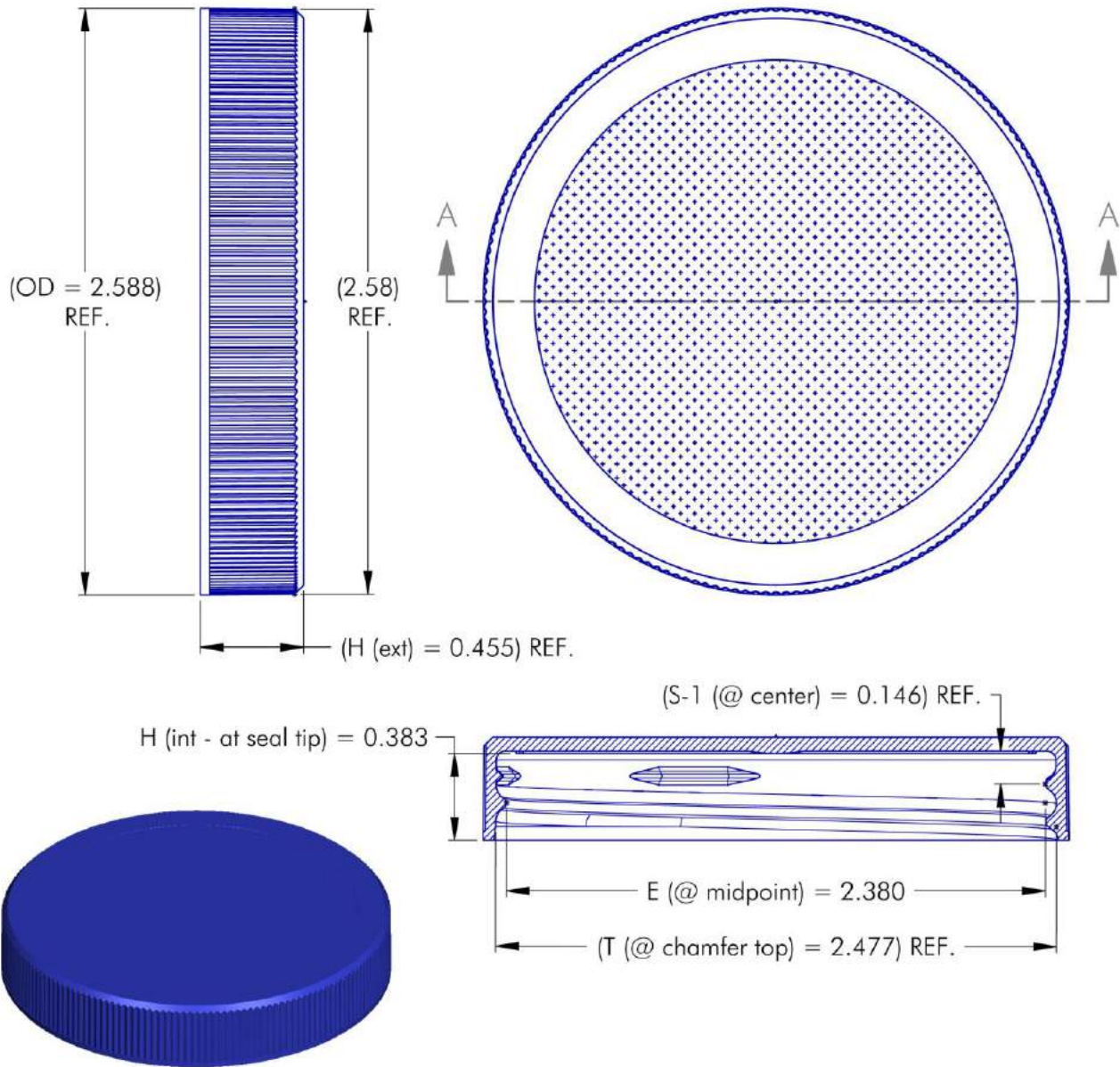
#### LOCATIONS

NAPERVILLE, IL • NEWPORT, TN • DAVENPORT, IA  
 GREENCASTLE, IN • ONTARIO, CA • STAINES, UK



# Phoenix Closures, Inc.

Quality and Innovation Since 1890



**NOTES: (UNLESS OTHERWISE SPECIFIED)**

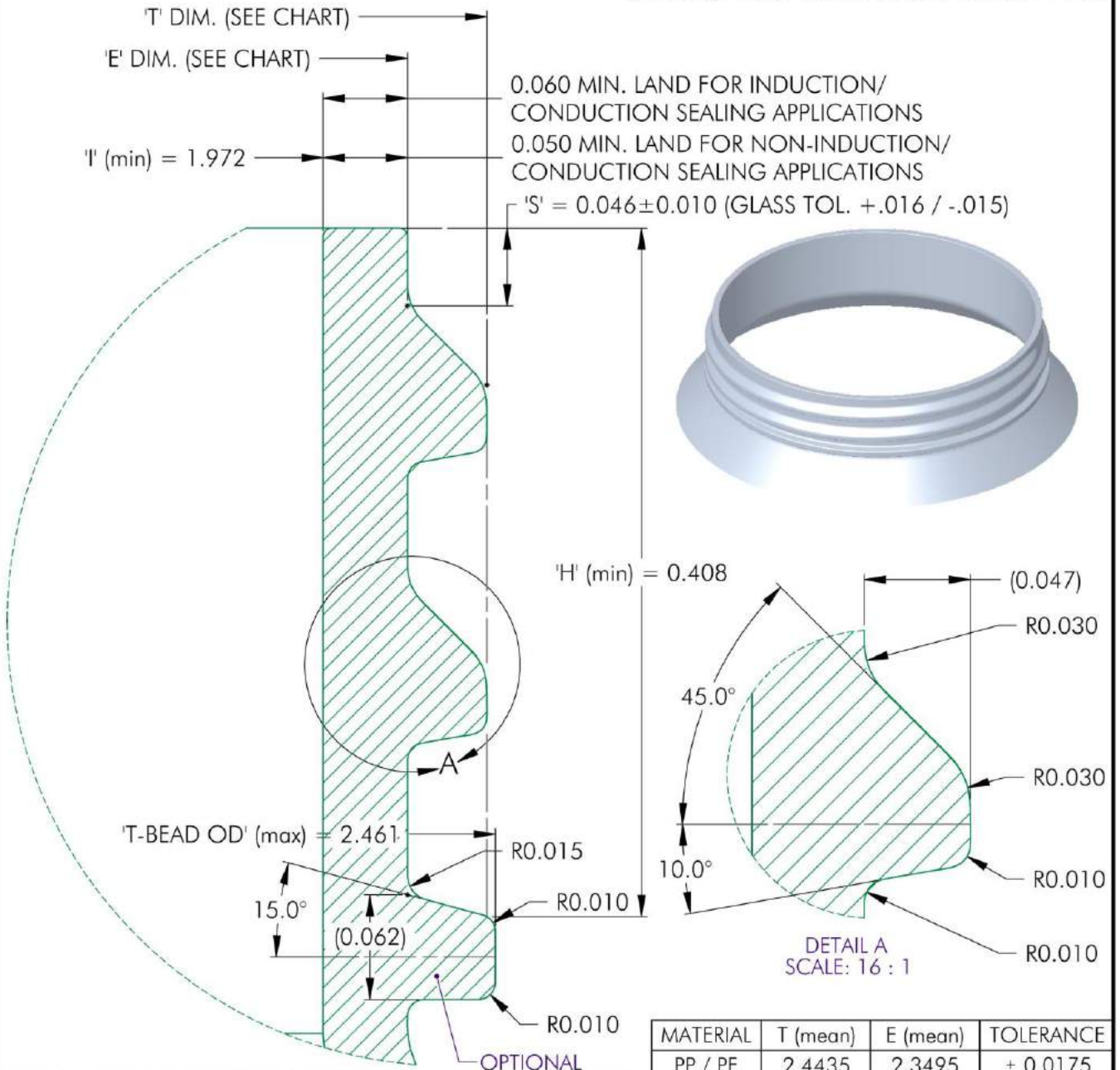
1. ALL DIMENSIONS ARE IN INCHES.
2. TOLERANCE ON ALL DIMENSIONS IS  $\pm 0.010$ " EXCEPT WHERE NOTED AS "REF.".

#	00.00.00	-	--	PITCH (TPI): 6	# OF TURNS: 1-1/8	MATERIAL: POLYPROPYLENE
REV	DATE	DESCRIPTION	BY	DRAWING #: 63 - 400 - 6213S		SCALE: 1-1/2 : 1
<p>THIS OR FACSIMILE THEREOF IS THE EXCLUSIVE PROPERTY OF PHOENIX CLOSURES, INC. AND MAY NOT BE REPRODUCED WITHOUT THE EXPRESSED WRITTEN CONSENT OF PHOENIX CLOSURES, INC. SOME OR ALL OF THE ITEMS DEPICTED ON THIS DRAWING MAY BE COVERED BY CURRENT PATENTS OR PATENTS APPLIED FOR BY PHOENIX CLOSURES, INC.</p>				DESCRIPTION: FINE RIB / CHAMFERED TOP / MATTE FINISH		
				DRAWN BY: DMN	DATE: 06.26.02	APPROVED BY: LRE



# Phoenix Closures, Inc.

Quality and Innovation Since 1890



NOTES: (UNLESS OTHERWISE SPECIFIED)  
 1. ALL DIMENSIONS ARE IN INCHES.  
 2. SEE CHART FOR TOLERANCE ON ALL DIMENSIONS.

MATERIAL	T (mean)	E (mean)	TOLERANCE
PP / PE	2.4435	2.3495	± 0.0175
PET	2.451	2.357	± 0.010
GLASS	2.441	2.347	± 0.020

#	00.00.00	-	--	PITCH (TPI):	6	# OF TURNS:	1-1/2	MATERIAL:	SEE CHART
REV	DATE	DESCRIPTION	BY	DRAWING #:	63 - 400 - FINISH			SCALE:	12 : 1
THIS OR FACSIMILE THEREOF IS THE EXCLUSIVE PROPERTY OF PHOENIX CLOSURES, INC. AND MAY NOT BE REPRODUCED WITHOUT THE EXPRESSED WRITTEN CONSENT OF PHOENIX CLOSURES, INC. SOME OR ALL OF THE ITEMS DEPICTED ON THIS DRAWING MAY BE COVERED BY CURRENT PATENTS OR PATENTS APPLIED FOR BY PHOENIX CLOSURES, INC.				DESCRIPTION:	FINISH FOR USE WITH PCI 63-400 CLOSURES				
				DRAWN BY:	DMN	DATE:	09.08.07	APPROVED BY:	LRE