

22-400-62U

SHALLOW SKIRTED CLOSURES

CLOSURE SPECIFICATIONS

Diameter: 22 mm
Thread Profile: 400
Neck Finish: 22-400
Closure Top: Stipple
Closure Sidewall: Fine Ribbed
Material: PP

PRODUCT BENEFITS

- » A great general-purpose closure
- » Fine-ribbed sides are easier to grip
- » Popular for cosmetics
- » Our most popular closure style

MARKETS

- » Automotive Products
- » Industrial Products
- » Cosmetics
- » Medical Products
- » Food
- » Personal Care
- » Household Chemicals
- » Pharmaceuticals

OPTIONS

- » Available in white, several standard colors and custom colors
- » Can be lined with a wide variety of liner systems

PACKAGING & FREIGHT INFORMATION

PACK TYPE	PCS/CTN	CTNS/PALT	PCS/PALT	CTN WT*	PALT WT*	FRT CLASS
Bulk	5,000	30	150,000	20.8685 (1) 21.9477 (2)	626.0550 (1) 658.4310 (2)	92.5 (1) 85.0 (2)

CARTON DIMENSIONS

24 x 8 x 15

PALLET DIMENSIONS

48 x 40 x 50

(1) Unlined Closures (2) Lined Closures * Approximate

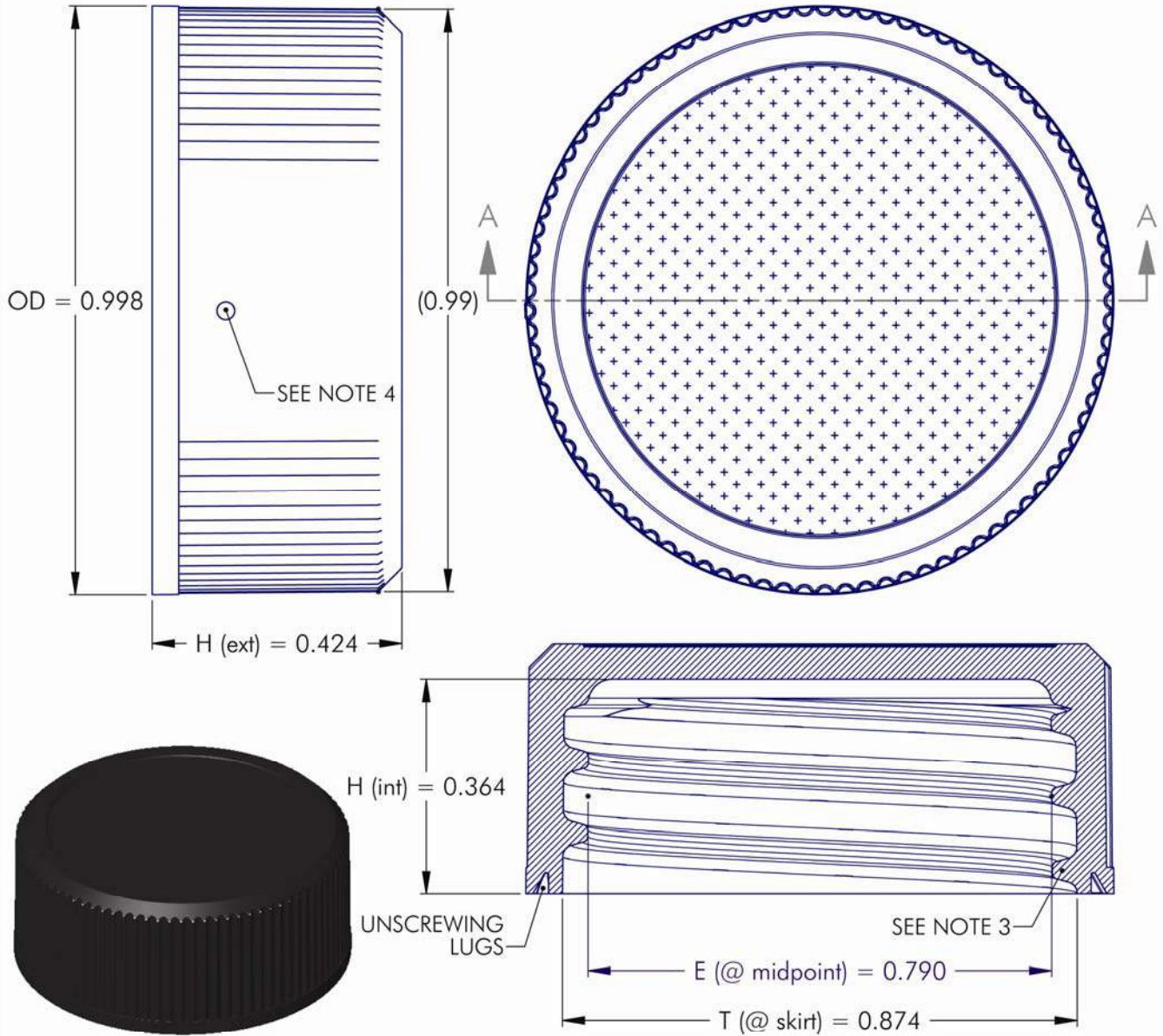
LOCATIONS

NAPERVILLE, IL • NEWPORT, TN • DAVENPORT, IA
 GREENCASTLE, IN • ONTARIO, CA • STAINES, UK



Phoenix Closures, Inc.

Quality and Innovation Since 1890



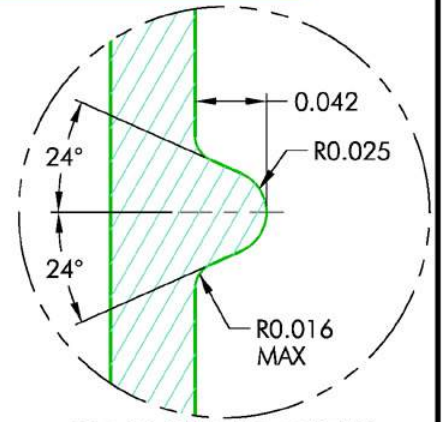
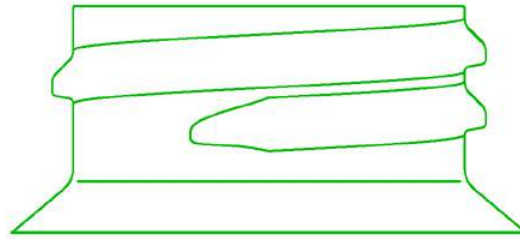
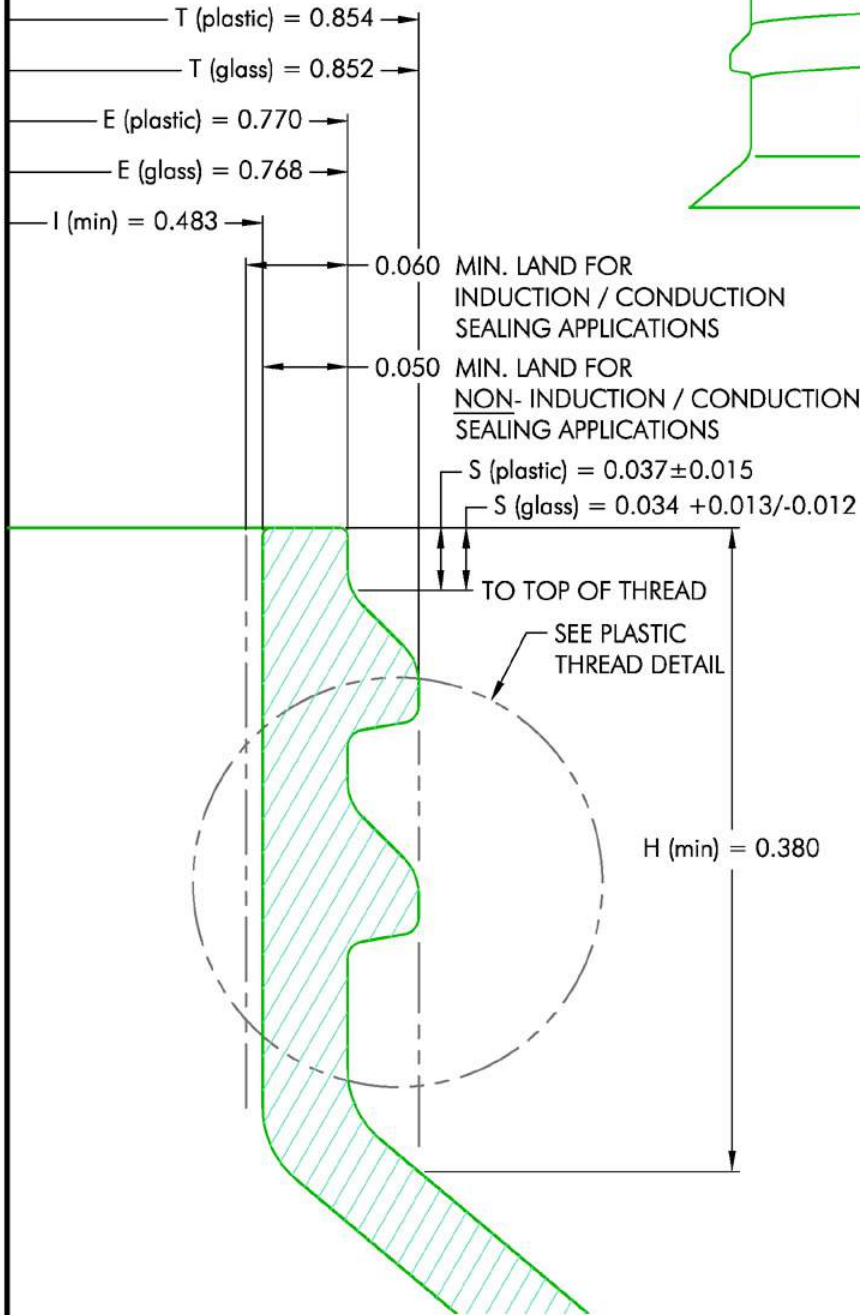
- NOTES: (UNLESS OTHERWISE SPECIFIED)
1. ALL DIMENSIONS ARE IN INCHES.
 2. TOLERANCE ON ALL DIMENSIONS IS $\pm 0.010"$.
 3. CONTINUOUS RUN OF THREAD FROM LINER WELL TO WITHIN $0.005"$ FROM BOTTOM OF SKIRT.
 4. THIS CLOSURE'S GATE LOCATED ON THE SIDE.

#	00.00.00	-	--	PITCH (TPI): 8	# OF TURNS: NOTE 3	MATERIAL: POLYPROPYLENE
REV	DATE	DESCRIPTION	BY	DRAWING #: 22 - 400 - 62 (U)		SCALE: 4 : 1
THIS OR FACSIMILE THEREOF IS THE EXCLUSIVE PROPERTY OF PHOENIX CLOSURES, INC. AND MAY NOT BE REPRODUCED WITHOUT THE EXPRESSED WRITTEN CONSENT OF PHOENIX CLOSURES, INC. SOME OR ALL OF THE ITEMS DEPICTED ON THIS DRAWING MAY BE COVERED BY CURRENT PATENTS OR PATENTS APPLIED FOR BY PHOENIX CLOSURES, INC.				DESCRIPTION: FINE RIB / CHAMFERED TOP / MATTE FINISH		
				DRAWN BY: DMN	DATE: 05.05.03	APPROVED BY: LRE

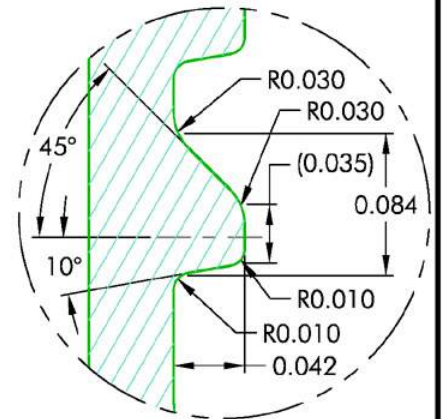


Phoenix Closures, Inc.

Quality and Innovation Since 1890



GLASS THREAD DETAIL
SCALE 10 : 1



PLASTIC THREAD DETAIL
SCALE 10 : 1

MATERIAL	TOLERANCE
PP / PE	± 0.008
PET	± 0.006
GLASS	± 0.010

- NOTES: (UNLESS OTHERWISE SPECIFIED)
 1. ALL DIMENSIONS ARE IN INCHES.
 2. TOLERANCE ON ALL DIMENSIONS GIVEN BY CHART.

#	00.00.00	-	--
REV	DATE	DESCRIPTION	BY

THIS OR FACSIMILE THEREOF IS THE EXCLUSIVE PROPERTY OF PHOENIX CLOSURES, INC. AND MAY NOT BE REPRODUCED WITHOUT THE EXPRESSED WRITTEN CONSENT OF PHOENIX CLOSURES, INC.

PITCH (TPI): 8	# OF TURNS: 1-1/4	MATERIAL: PER CHART
DRAWING #: 22-400-FINISH		
DESCRIPTION: FINISH FOR USE WITH PCI 22-400 CLOSURES		
FILE: 22-400-FINISH.dwg	SCALE: 10 : 1	
DRAWN BY: BEZ	DATE: 04.27.94	APPRVD BY: LRE REV: 0 BF